

For use with WaveBook/516E and WBK25

Overview 1

- What are WBK40 and WBK41? 1
- Front Panel Connectors 2
- Rear Panel Connectors 4

Setup 5

- Hardware Setup 5
- Software Setup 14

Operational Aspects

- Block Diagrams 14
- Thermocouple Measurements 15
- Digital I/O, *WBK41 Only* 16
- Synchronous Input Operations 16
- Output Channel Configuration 17
- Asynchronous I/O Operations 18
- Analog Outputs, *WBK41 Only (DBK46 Required)* 19

Using a Temperature Calibrator 20

CE Compliance 21

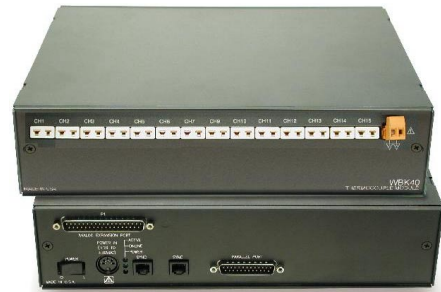
Fuse Replacement 23

P1 - DB37 Connector Pinout 26

P2 - DB37 Connector Pinout (*WBK41 Only*) 27

Specifications 28

[WBK40 & WBK41 Installation Guide](#) (p/n 1066-0901)



WBK40
14 Channel Thermocouple Input Module,
Front & Rear Views



WBK41
Multi-Function Thermocouple I/O Module,
Front & Rear Views

Overview

What are WBK40 and WBK41?

The WBK40 is a 14-Channel Thermocouple Input Module. The WBK41 is a Multi-Functional I/O Module. The latter includes the thermocouple functionality of the WBK40 and additional features, as will be discussed shortly. Both the WBK40 and WBK41 attach to any one of the three DB25 parallel expansion ports on a WaveBook/516E or WBK25. Because the modules each have a built-in 16 bit, 200-kHz A/D converter, measurements do not consume valuable sampling time from the host WaveBook's 1-MHz A/D converter. For this reason, there are no speed implications to WaveBook [or other WBK] measurements when a WBK40 or a WBK41 is attached. Measurements can be made synchronous with the WaveBook/516E, providing precise time correlation between readings from both measurement devices.

Features common to WBK40 and WBK41

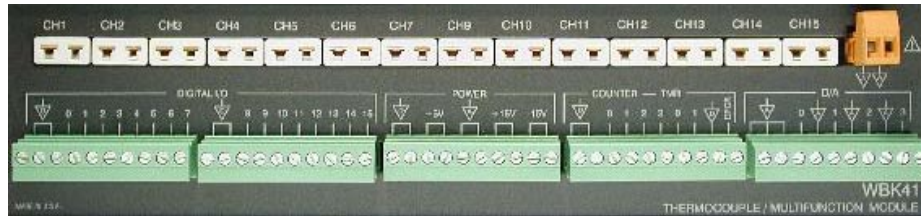
- Provides a means of adding from 14 to 224 thermocouple inputs to the WaveBook/516E or WBK25
- Provides linearized and cold-junction compensated readings for all thermocouple types
- Exhibits 1.0°C [or better] accuracy for most ranges and TC types
- Consumes no measurement bandwidth from the WaveBook/516E
- Detects open thermocouples

Additional features of the WBK41

- 16 Digital I/O Lines (via front panel screw-terminal blocks)
- 24 Digital I/O Lines (via a rear panel 37-pin connector, P2)
- 4 Counter Inputs (via front panel screw-terminal blocks)
- 2 Timer Outputs (via front panel screw-terminal blocks)
- 4 Channel, 16-bit, 100 kHz Analog Output (via front panel screw-terminal blocks; but *only* when a factory-installed DBK46 option is in place)

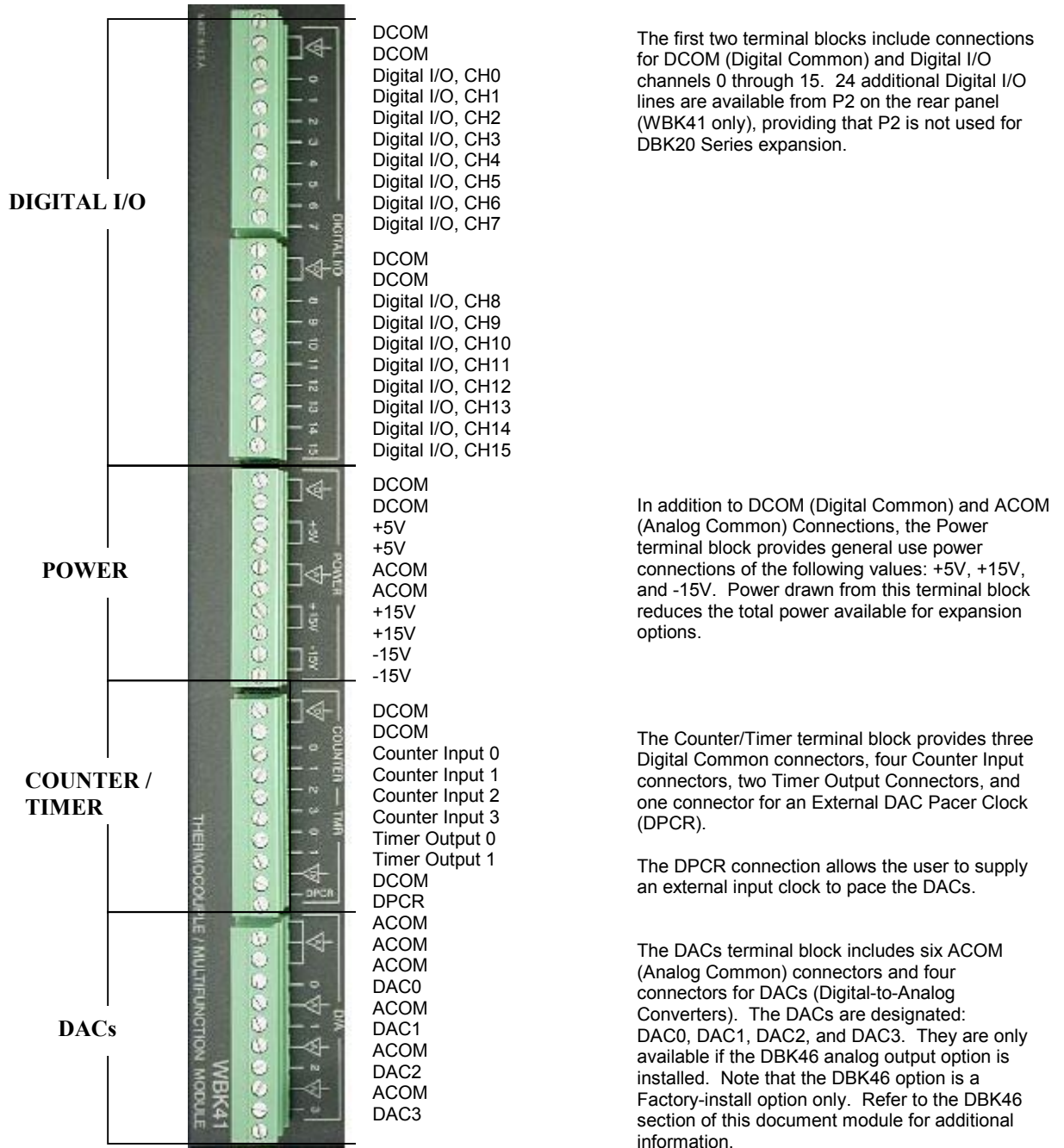
Front Panel Connectors

WBK41 Front Panel



WBK41, Front Panel Connectors

Note that the WBK40's Front Panel is identical, except it has no Screw-Terminal Blocks (see pg. 3).



WBK40 Front Panel



WBK40 Front Panel Connectors

The Mini-TC and Analog Common Connectors exist on both the WBK40 and WBK41 Modules.

Item	Description (Applies to both WBK40 and WBK41)
CH1 through CH15 Mini-TC Connectors	This row contains 14 mini-TC connectors. These are for connecting thermocouples to channels 1 through 7 and to channels 9 through 15. Channels 0 and 8 have no mini-TC connectors, as these two channels are used for cold-junction compensation (CJC).
Analog Common 	Analog Common. This is a dual-pin receptacle located next to the Channel 15 TC connector. A typical use of the ACOM connection would be to attach the shield of a shielded thermocouple. If a thermocouple shield is connected to a WBK40 [or WBK41] module, leave the shield unconnected at the other end of the thermocouple to avoid a ground loop.

The modules' built-in TC channels are accessed via mini-TC connectors on the front panel. This is true for both the WBK40 and the WBK41. The 14 built-in TC channels can accept any type of thermocouple, including types J, K, S, T, E, B, R, and N. The units can be expanded in 14-channel increments using DBK84 TC expansion modules. A total of 15 DBK84s can be attached to one WBK40 [or WBK41], for a total TC channel capacity of 224 channels.



If more than eight DBK84 modules are to be connected to one WBK40 [or WBK41], additional power must be supplied. The power can be obtained from DBK32A or DBK33 Auxiliary Power Supply Cards, housed within a DBK10 expansion chassis.

WBK41's Counter/Timer functions and 16 bits of Digital I/O are accessed via removable front panel screw-terminal connectors (see previous figure). Additional Digital I/O and expansion connectors are located at the rear of the WBK41, as indicated in the following figure.

The WBK41 can be easily expanded beyond its built-in channel capacity. WBK41 systems can include:

- up to 224 TC Input Channels by connecting to 15 DBK84 modules
- up to 208 Digital I/O Channels by connecting to 4 DBK20 Series cards or up to 272 Digital I/O channels by connecting to 8 DBK208 expansion boards
- 4 Analog Output channels when a DBK46 DAC option card is installed
- 4 Counter Input channels and 2 Timer Output channels

Rear Panel Connectors

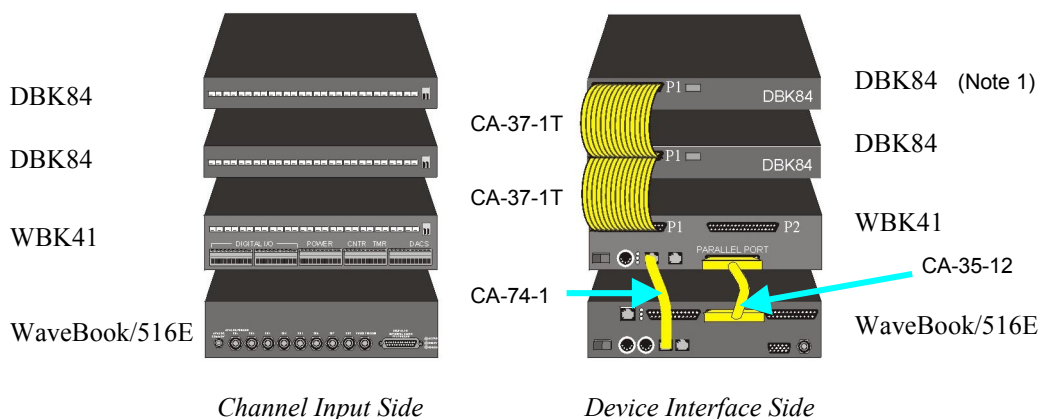


Note:
The P2 Connector does not apply to WBK40.

WBK41, Rear Panel Connectors

Note that WBK40's Rear Panel is identical, except it has no P2 connector. Page 1 includes a photo of the WBK40 rear panel.

Item	Description
P1 (see page 26 for pinout)	P1 is an Analog Expansion Port. This DB37 connector is used to connect the WBK40 or WBK41 to an optional DBK84, 14-Channel Thermocouple Module. The connection is typically made via a CA-37-x ribbon cable, where "x" equals the number of analog expansion devices.
P2 (WBK41 Only) (see page 27 for pinout)	P2 is a Digital Expansion Port, which is available on the WBK41, but not on the WBK40. This DB37 connector can be used to connect the WBK41 to an optional DBK20 Series device. The connection is typically made via a CA-37-x ribbon cable, where "x" equals the number of digital expansion devices. If P2 is not used for DBK20 Series expansion, it allows for 24 bits of Digital I/O, which is in addition to the 16 bits of Digital I/O that are provided by front panel terminal blocks.
POWER [switch]	Two-position rocker switch with labels "0" for "Power OFF" and "1" for "Power ON."
POWER IN	A DIN5 connector which accepts power of +10 to +30 VDC. Power is typically supplied via a TR-40U power adapter.
LEDs	ACTIVE – Lights when a sample is being converted by the Analog-to-Digital Converter (ADC) that resides inside the WBK40 or WBK41. ONLINE – Lights when software is communicating with the WBK40 or WBK41. POWER – Lights when power is available to the WBK40 or WBK41, and the Power switch is in the "1" (Power ON) position.
SYNC Ports (2)	Two SYNC Ports are available to synchronize sampling with other connected devices that have SYNC ports, for example, the WaveBook/516E. Cable CA-74-1 or CA-74-5 is typically used to provide a synchronization link from a WBK40 [or WBK41] module to another device.
PARALLEL PORT	The Parallel Port is a DB25 connector that is used to connect the WBK40 [or WBK41] to a WaveBook/516E or WBK25 Ethernet Interface Module.



One of Many Possible WBK41-Based Systems

Note 1: Each DBK84 module requires a unique address setting as explained on page 13.

Setup



Reference Note

For a quick set up involving connecting a WBK40 or a WBK41 to a WaveBook/516E or to a WBK25, refer to the [WBK40 & WBK41 Installation Guide](#) (p/n 1066-0901). For convenience, a copy has been placed after the specifications section of this document.

Hardware Setup, for WBK40 and WBK41

WARNING



Electrical Shock Hazard! To avoid possible injury and equipment damage, turn off power to devices and connected equipment prior to setup.

Connecting to the Channel Input Side

WBK40 and WBK41 each have a row of 14 mini-TC connectors. These are for connecting thermocouples to channels 1 through 7 and to channels 9 through 15. Channels 0 and 8 have no mini-TC connectors, as these two channels are used for cold-junction compensation (CJC). The connection information regarding thermocouples is included in the upcoming sub-sections, [Thermocouple Connections](#) (page 6) and [Open Thermocouple Detection](#) (page 7).

In addition to thermocouple connections, the WBK41 can accept signal lines for the following:

- 16 Digital I/O Lines (via front panel screw-terminal blocks)
- 24 Digital I/O Lines (via a rear panel 37-pin connector, P2)
- 4 Counter Inputs (via front panel screw-terminal blocks)
- 2 Timer Outputs (via front panel screw-terminal blocks)
- 4 Channel, 16-bit, 100 kHz Analog Output (via front panel screw-terminal blocks; but *only* when a factory-installed DBK46 option is in place)

System Example

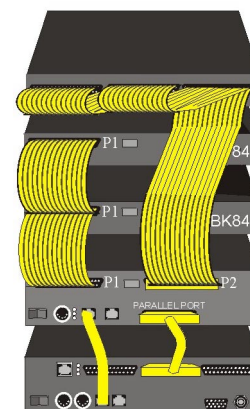
144 Digital I/O
(via 3 DBK21 Cards in a DBK10 Chassis)

14 Thermocouples can be connected to each DBK84 and to the WBK41 (or WBK40).

For WBK41: Digital I/O, Counter Input (CNTR), Timer Output (TMR), and Analog Output (DACS) lines can be connected to the associated terminal block screw connectors. (See following photo.)



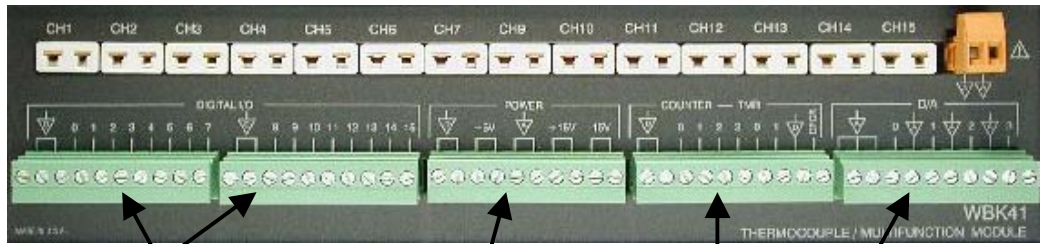
Channel Input Side



Device Interface Side

One of Many Possible WBK41-Based Systems

Note 1: Each DBK84 module requires a unique address setting as explained on page 13.



Note:
The row of terminal blocks does not apply to WBK40.

DIGITAL I/O (2 Terminal Blocks) POWER [Out] COUNTER - TMR D/A (DAC0, DAC1, DAC2, DAC3)

WBK41, Front Panel Connectors

Note that WBK40's Front Panel is identical, except it has no screw-terminal blocks. Page 1 includes a photo of WBK40. Page 2 includes a table that describes each item found on the front panel.

Thermocouple Connections

The WBK40 and WBK41 each accept up to 14 thermocouples [with mini-TC plugs] via channels 1 through 7 and 9 through 15. All channels have the same level of functionality.

Thermocouple wire is standardized, color-coded, and polarized, as noted in the following table.

Mini-TC plugs are type-specific, and for best measurement operation the plug TC type should match the wire TC type. If necessary, copper/copper (Type U) plugs may be used, but measurement stability will be slightly degraded. Mini-TC plugs are polarized as well, and it is critical for proper measurement operation that this polarity be followed when connecting the thermocouple wire. Once wired, the TC plugs will only mate into the unit's TC connectors in one orientation, thus ensuring a correct connection.

Thermocouple Standards			
T/C Type	(+) Lead to Channel High	(-) Lead to Channel Low	
J	White	Red	
K	Yellow	Red	
T	Blue	Red	
E	Violet	Red	
N28	Orange	Red	
N14	Orange	Red	
S	Black	Red	
R	Black	Red	
B	Gray	Red	

It should be noted that thermocouples output very small voltages and that long thermocouple leads can pickup a large amount of noise. However, both the WBK40 and WBK41 inherently provide a high level of noise immunity via their 4 Hz signal bandwidth and input filtering. If desired, further noise reduction can be achieved through the use of shielded thermocouples and/or averaging.



You can minimize the effect of noise by:

- (1) using shielded thermocouples**
- (2) averaging readings**
- (3) employing both of the above practices**

To accommodate shielding, grounded connections, labeled "Analog Common," are provided. A typical use of the connection would be to attach the shield of a shielded thermocouple. Note that the Analog Common connector is removable to facilitate wiring.



If a thermocouple shield is connected to a WBK40, or WBK41 module, leave the shield unconnected at the other end of the thermocouple.

Open Thermocouple Detection

The WBK40, WBK41, and DBK84 modules are equipped with open thermocouple detection for each channel. This means that a broken thermocouple wire [or otherwise unconnected input] that is measured will result in an off-scale reading. This is accomplished by applying a small bias current to each of the channel inputs. Whenever a valid input is absent, the bias current saturates the input amplifier, resulting in the off-scale reading. When in this “off-scale” state, however, the input amplifier draws more current from the power supply. Specifically, the power draw of the module from ± 15 V will increase by 0.75 mA for each open channel.



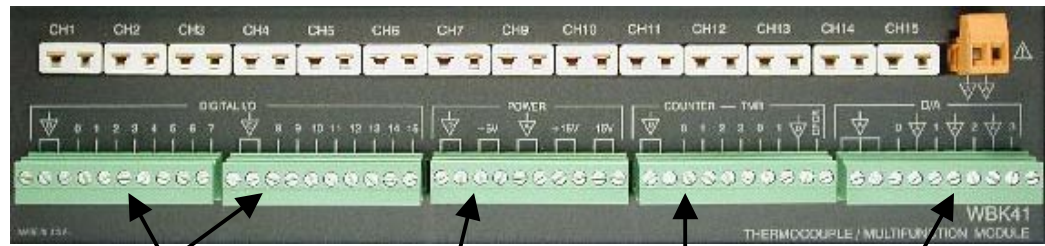
If available power is limited, insert shorted TC plugs into unused channels. This will minimize power consumption. Note that it is not enough to simply avoid scanning unused channels; to minimize power consumption the channels must be physically shorted in the hardware.



The power requirements, detailed in the product specification, assume worst case connection conditions.

Digital I/O, Power, Counter/Timer, and DAC Connections (WBK41 Only)

The front panel of the WBK41 includes removable plug-in screw-terminal blocks for Digital I/O, Power, Counter/Timer, and DAC (see following picture). Note that the DACs are only available if the DBK46 option is installed. Signal assignments are provided on page 2.



DIGITAL I/O (2 Terminal Blocks)

POWER [Out]

COUNTER - TMR

D/A (DAC0, DAC1, DAC2, DAC3)

WBK41, Front Panel Connectors

CAUTION



Signal mix-up will result in erroneous readings and can damage equipment. Be sure to connect signal lines to the proper screw-terminal connections.

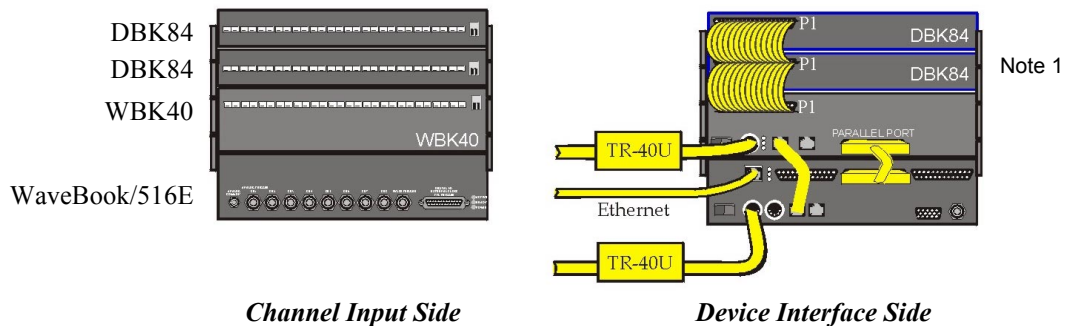
Never move a wired terminal block from its intended terminal block socket to another. The improperly routed signals, which result, can cause equipment damage.

Connecting to the Device Interface Side – WBK40 System Examples

WARNING



Electrical Shock Hazard! To avoid possible injury and equipment damage, turn off power to devices and connected equipment prior to setup.



Channel Input Side

Device Interface Side

A WaveBook/516E with a WBK40 and two DBK84 Modules

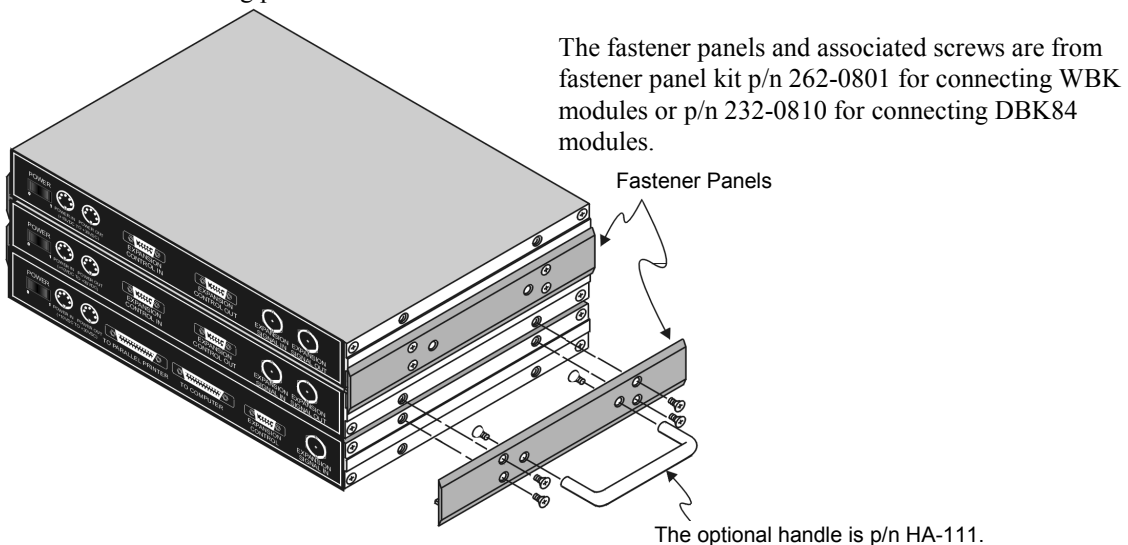
Note 1: Each DBK84 module requires a unique address setting as explained on page 13.

Device Interface Connections (seen in the above example):

1. From the WBK40 P1 connector to two DBK84 Modules via two CA-37-1T cables. (Page 10 discusses T-Cables)
2. From a WBK40 SYNC port to a WaveBook/516E SYNC Port via a CA-74-1 cable.
3. From a WaveBook/516E EXPANSION PORT to the WBK40 PARALLEL PORT via a CA-35-12 cable.
4. From the WaveBook/516E ETHERNET port to the Ethernet via a CA-242 cable.
5. Power Supply – a TR-40U was connected to the POWER IN [DIN 5] connector to supply power at +10 VDC to +30 VDC for the WBK40 and for the WaveBook/516E.

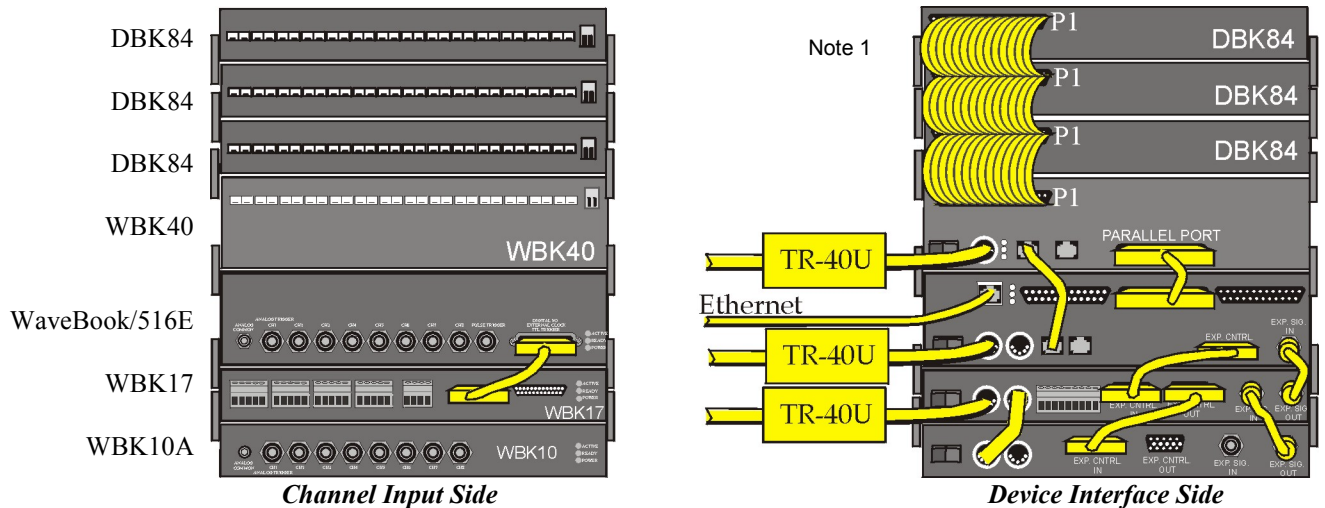
Using Fastener Panels to Stack Modules:

Fastener Panels, sometimes referred to as “splice plates” (p/n 262-0801 and p/n 232-0810) are typically used to stack modules to WaveBooks, and/or other modules. Optional handles (p/n HA-111) may also be attached to a system. The following figure illustrates the simplicity of the mounting process.



Using Fastener Panels to Stack a WaveBook and two WBK Modules (use of the handle is optional)

Note: When used with a WBK16, WaveBook/516, WaveBook/516A, or WaveBook/512A, fastener panels will partially block the vents on the side of the module. This partial blocking of vents does not jeopardize the cooling process.



A WaveBook/516E with a WBK17, WBK10A, WBK40, and three DBK84 Modules

Device Interface Connections (seen in the above example):

1. From the WBK40 P1 connector to three DBK84 Modules via three CA-37-1T cables.*
2. From the WBK40 SYNC port to WaveBook/516E SYNC Port via a CA-74-1 cable.
3. From the WBK40 PARALLEL PORT to the WaveBook/516E Expansion Port via a CA-35-12 cable.
4. From the WaveBook/516E's ETHERNET port to the Ethernet via a CA-242 cable.
5. From the WaveBook/516E EXTERNAL CONTROL connector to the WBK17's EXPANSION CONTROL IN connector, via a CA-129 cable.
6. From the WaveBook/516E EXTERNAL SIGNAL IN connector to the WBK17 EXTERNAL SIGNAL OUT connector via a CA-150 cable.
7. From the WaveBook/516E Channel Input Side's DIGITAL I/O AND TRIGGER connector to the WBK17 DIGITAL EXPANSION IN connector via a CA-217 cable.
8. From the WBK17 EXPANSION CONTROL OUT connector to the WBK10A EXPANSION CONTROL IN connector via a CA-129 cable.
9. From the WBK17's EXPANSION SIGNAL IN connector to the WBK10A's EXPANSION SIGNAL OUT connector via a CA-150 cable.
10. Power Supply – a TR-40U was connected to the POWER IN [DIN 5] connector to supply power at +10 VDC to +30 VDC for the WBK40, WaveBook/516E, and WBK17.
11. Power Supply – From the WBK17 POWER OUT [DIN 5] +10 VDC to +30 VDC connector to the WBK10A POWER IN [DIN 5] connector via a CA-115 power cable. The CA-115 is a 6-inch long cable which has a 5-pin DIN male connector at each end.

CAUTION



An incorrect use of power can damage equipment or degrade performance. Prior to connecting your devices to power, calculate your system's power requirements.



Reference Note

Information pertaining to connecting the system to power and calculating the amount of power needed can be found in the *WaveBook User's Manual*. A PDF version is included on the data acquisition CD and can be accessed from the CD's intro-screen by using the <View PDFs> button.

* Information regarding the use of CA-37-T cables is provided on page 10.

Using Fastener Panels to Stack Modules:

Fastener panels are illustrated and discussed on page 8.

Note 1: Each DBK84 module requires a unique address setting as explained on page 13.

What are “T-Cables” and how are they used?

CAUTION



Turn power OFF to the acquisition devices and to externally connected equipment prior to connecting cables. Electrical shock or damage to equipment can result even under low-voltage conditions.

A T-Cable is a ribbon cable that extends the connections of one of the ports it plugs into, thus allowing a second cable to plug into that port. The following figure clarifies the concept.

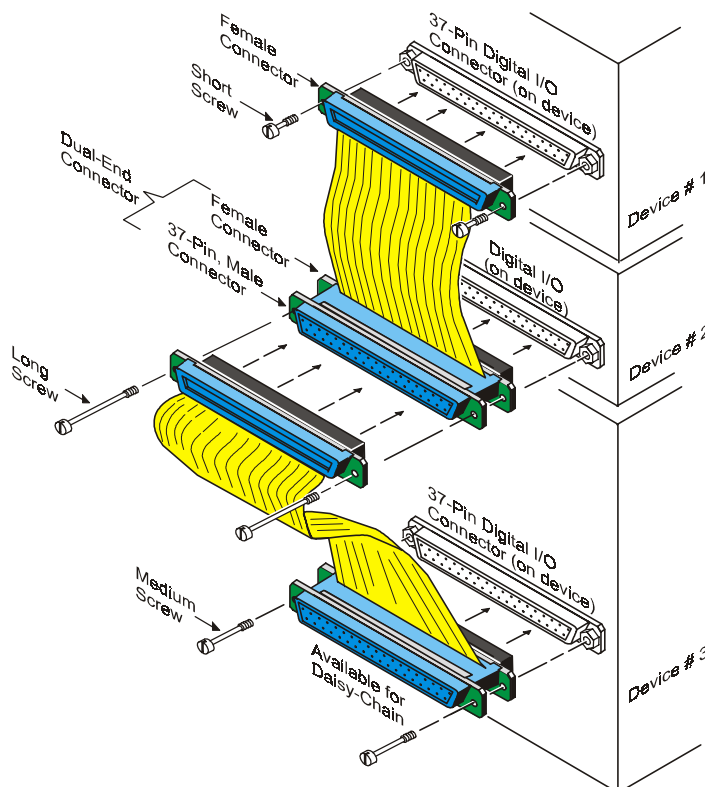
T-Cables are available in different lengths and can be used for linking two or more compatible devices together via the device’s 37-pin connectors.

The bottom-end of the T-Cable is a dual-connector, consisting of both a female connector, and a 37-pin (male) connector. As seen in the following illustration, the T-Cable’s 37-pin (male) connector can be used for “Daisy-Chain” applications.

Each T-Cable comes with three sets of screws. These are designated (in the diagram) as: short, medium, and long. Use the short screws to secure the single, female-end of the cable to the device; and use the medium length screws to secure a cable’s “dual-end” connector. Use the long screws for daisy-chain applications (when you are connecting one T-Cable to another T-Cable).



Tighten screws snug only; do not over-tighten!

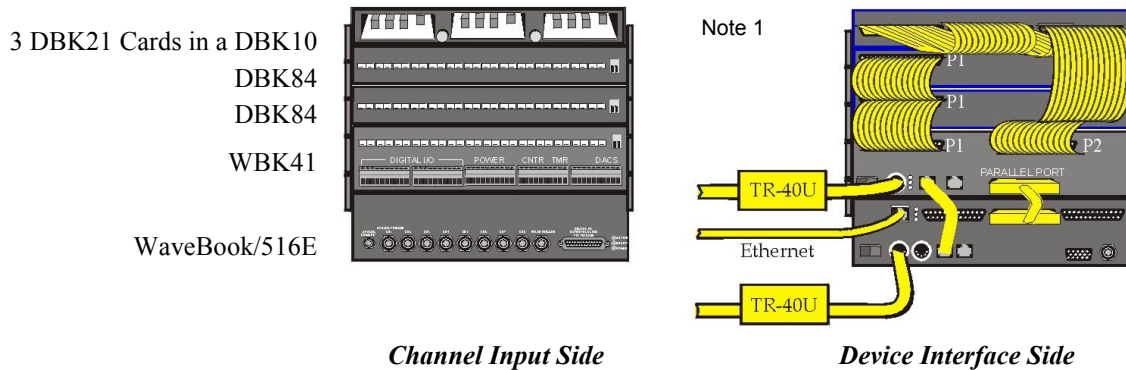


Daisy-Chain Example
Using two T-Cables to Connect Three Devices

Connecting to the Device Interface Side – WBK41 System Examples

WARNING

 **Electrical Shock Hazard! To avoid possible injury and equipment damage, turn off power to devices and connected equipment prior to setup.**



A WaveBook/516E with a WBK41, two DBK84 Modules, & three DBK21 Cards (in a DBK10)

Device Interface Connections (seen in the above example):

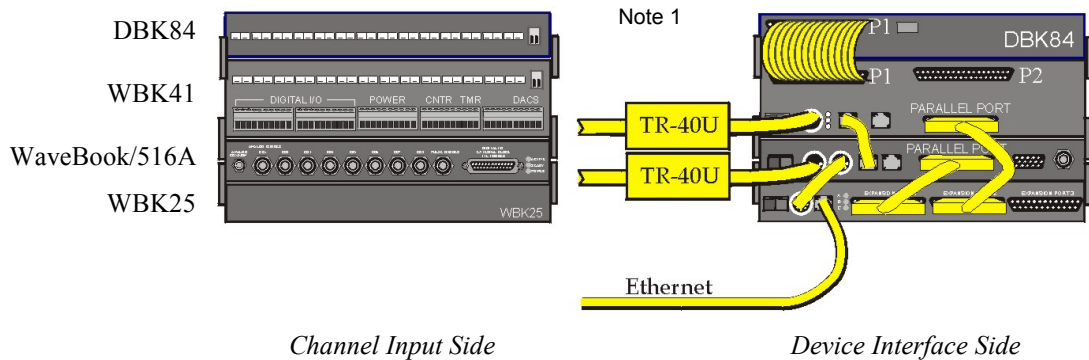
1. From the WBK41 P1 connector to two DBK84 Modules via two CA-37-1T Cables.*
2. From a WBK41 SYNC port to a WaveBook/516E SYNC Port via CA-74-1 Cable.
3. From the WaveBook/516E EXPANSION port to the WBK41 PARALLEL PORT via a CA-35-12 cable.
4. From the WaveBook/516E ETHERNET port to the Ethernet via a CA-242 cable.
5. From the WBK41 P2 connector to three DBK21 Cards (in a DBK10 Chassis) via a CA-37-3 cable.
6. Power Supply – a TR-40U was connected to the POWER IN [DIN 5] connector to supply power at +10 VDC to +30 VDC for each of the following devices:
 - WBK41
 - WaveBook/516E

* Information regarding the use of CA-37-T cables is provided on page 10.

Using Fastener Panels to Stack Modules:

Fastener Panels are discussed on page 7.

Note 1: Each DBK84 module requires a unique address setting as explained on page 13 of this document module and in the *DBK Options User's Manual* (p/n 457-0905). Each DBK21 card also requires a unique address as discussed in the *DBK Options User's Manual*.



A WaveBook/516A with a WBK25, WBK41, and DBK84

Device Interface Connections (seen in the above example):

1. From the WBK41 P1 connector to the DBK84 Module via one CA-37-1T Cable.*
2. From a WBK41 SYNC port to a WaveBook/516A SYNC Port via CA-74-1 Cable.
3. From the WBK41 PARALLEL PORT connector to the WBK25 EXPANSION PORT 2 connector via a CA-35-12 cable.
4. From the WaveBook/516A PARALLEL PORT to the WBK25 EXPANSION PORT 1 connector via a CA-35-12 cable.
5. From the WBK25 ETHERNET port to the Ethernet via a CA-242 cable.
6. Power Supply – a TR-40U was connected to the POWER IN [DIN 5] connector to supply power at +10 VDC to +30 VDC for the WBK41 and the WaveBook/516A.
7. Power Supply – From the WaveBook/516A’s POWER OUT [DIN 5] +10 VDC to +30 VDC connector to the WBK25’s POWER IN [DIN 5] connector via a CA-115 power cable. The CA-115 is a 6-inch long cable which has a 5-pin DIN male connector at each end.

CAUTION

An incorrect use of power can damage equipment or degrade performance. Prior to connecting your devices to power, calculate your system’s power requirements.



Reference Note

Information pertaining to connecting the system to power and calculating the amount of power needed can be found in the *WaveBook User’s Manual*. A PDF version is included on the data acquisition CD and can be accessed from the CD’s intro-screen by using the <View PDFs> button.

* Information regarding the use of CA-37-T cables is provided on page 10.

Using Fastener Panels to Stack Modules:

Fastener Panels are discussed on page 7.

Note 1: Each DBK84 module requires a unique address setting as explained on page 13.

Setting “Unique” Channel Addresses for DBK84 Modules

All DBK84 modules that are connected to WBK40 or WBK41 systems must have unique channel address settings. Unlike the WBK40 and WBK41, which are internally pre-set with an address of “0,” each DBK84 module requires that the address be set via DIP switches located on the front panel of that module.

CAUTION



Adjustment of the channel address must only be performed when the system power is OFF. Failure to do so may result in equipment damage.

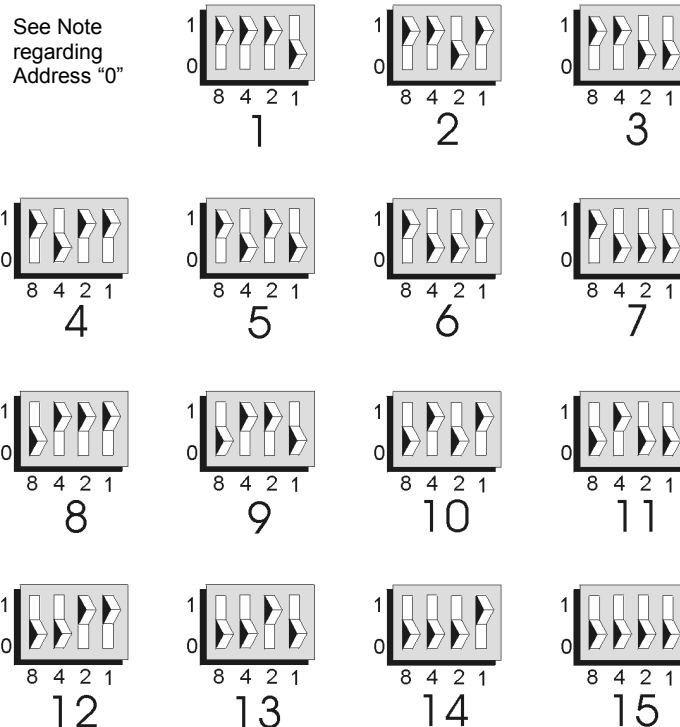
DBK84 modules that are connected to a WBK40 or WBK41 must have their addresses physically set to a value between 1 and 15, inclusive. Four micro-switches [on a DIP switch] are used to set the module’s channel address in binary.

Set a DBK84 address as follows:

1. Locate the DIP switch. It is just to the right of the P1 connector.
2. Ensure system power is OFF.
3. Adjust the micro-switches to set the desired address. Refer to the following figure.



Address “0” is used by WBK40 and WBK41 and is not to be assigned to a DBK84 that is part of a WBK40 or WBK41 system. Each connected DBK84 must have a unique address. The following figure shows the complete range of switch settings.



Possible Address Settings for a DBK84

Software Setup



You will need to use the *Daq* Configuration* control panel applet to add the WBK40 or WBK41 device to the parent (first level) device, i.e., a WaveBook/516E or a WBK25 module. Refer to the [WBK40 & WBK41 Installation Guide](#) (p/n 1066-0901). For convenience, a copy has been placed after the specifications section of this document.

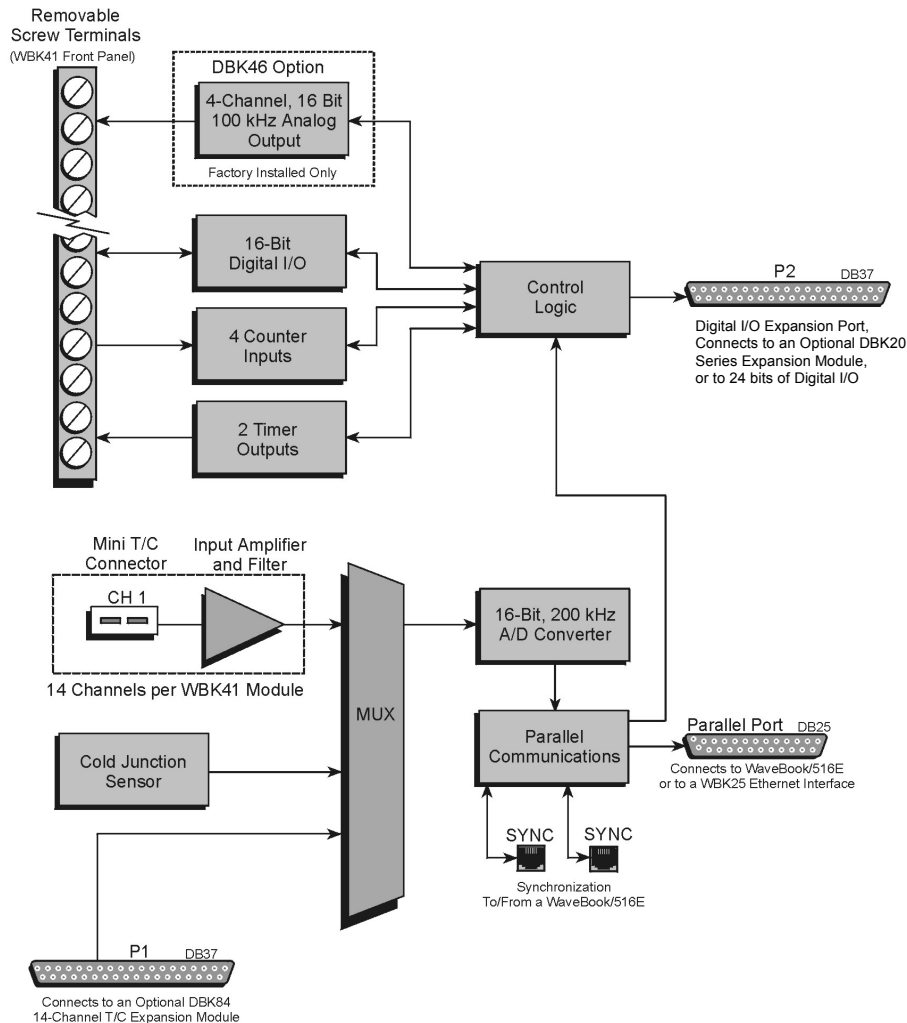


As this document goes to print there is no *out-of-the-box* software support for WBK40 and WBK41 systems. At this early stage of the product cycle users must create their own custom programs using API commands. These are covered in the *Programmer's Manual* (p/n 1008-0901).

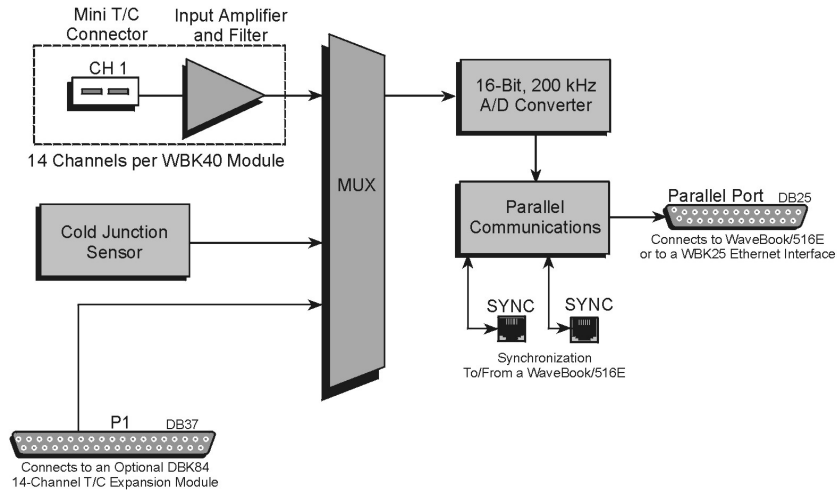
Refer to the [ProgrammersManual.pdf](#) regarding API. The document is included on the Data Acquisition CD and can be accessed via the <View PDF> button that appears on the CD's opening screen.

Operational Aspects

Block Diagrams



WBK41 Block Diagram



WBK40 Block Diagram

Thermocouple Measurements

Each WBK40 and WBK41 module's internal circuitry includes cold junction compensation (CJC) for direct measurement of type J, K, T, E, N28, N14, S, R, and B thermocouples. The following table provides the temperature range for each of these thermocouple types.

Thermocouple Temperature Ranges									
T/C Type	J	K	T	E	N28	N14	S	R	B
Temperature Range °C	-200 to 760	-200 to 1200	-200 to 400	-270 to 650	-270 to 400	0 to 1300	-50 to 1768	-50 to 1768	50 to 1780
Temperature Range °F	-328 to 1400	-328 to 2192	-328 to 752	-454 to 1202	-454 to 752	32 to 2372	-58 to 3214	-58 to 3214	122 to 3236

The modules automatically convert TC measurements into temperature readings, including cold-junction compensation and linearization. Open TC detection and overload protection up to $\pm 40V$ is also included on every channel. To expand beyond the built-in 14 TC input channels, up to fifteen DBK84 expansion modules can be attached to one WBK40 or WBK41, providing an additional 14 TC input channels per module.

Fifteen DBK84 Thermocouple Modules connected (via daisy-chain) to a single WBK40 or WBK41 module provide up to 210 additional temperature channels, for a total system capability of 224 channels; i.e., 14 channels per device x 16 devices.



If more than eight DBK84 modules are to be connected to one WBK40 [or WBK41] module, additional power must be supplied. The power can be obtained from DBK32A or DBK33 Auxiliary Power Supply Cards, housed within a DBK10 expansion chassis.

In comparison to typical DBK options, the DBK84 modules demand significant power from the system's $\pm 15 V$ power supplies. It is important that you calculate your system's power demand, as you may need to add auxiliary power supplies. Refer to the *Power Management* section of the *DBK Option Cards and Modules User's Manual*, in regard to calculating system power requirements.

Note that WBK40 and WBK41 can each provide up to 15000 mW of power to DBK84 modules that are added to the system. (See previous note regarding auxiliary power).

In regard to adding thermocouples to WBK40, WBK41, or DBK84 modules, Channels 1 through 7 are used for the first seven thermocouples, and channels 9 through 15 are used for the second set of seven. Channels “0” and “8” are not used for thermocouple input, but instead measure the two CJs.

In addition to thermocouple measurements, each input channel can be configured for a fixed voltage gain of 100. When in this mode, voltage can be measured in the range of ± 100 mV.

Built into the WBK40 and WBK41 is a 16 bit, 200-kHz A/D converter that samples all of the TC inputs, including inputs attached to the DBK84 expansion modules. The SYNC connection between the WBK40 or WBK41 module and the WaveBook/516E ensures that thermocouple measurements on the module are synchronized with higher-speed measurements on the WaveBook. WaveBook software automatically compensates for the difference in sampling rates between the WaveBook and WBK40 [or WBK41], ensuring that there is exact time correlation between readings from both devices.

The WBK40 and WBK41 automatically perform thermocouple linearization and cold-junction compensation, providing accurate and stable temperature readings in either $^{\circ}\text{C}$, $^{\circ}\text{F}$, or $^{\circ}\text{K}$. Typical TC accuracy is better than 1.0°C , with channel-to-channel variation and noise typically better than 0.2°C .

Digital I/O, WBK41 Only

Forty Digital I/O lines are built-into the WBK41. Sixteen are accessible via front-panel removable screw terminal connectors, and can be defined under program control as either all inputs or all outputs. As inputs, these channels can be scanned synchronously during an acquisition, or asynchronously under program control. As outputs, these lines can be set prior to an acquisition, or changed during an acquisition if used with a programming environment such as Visual Basic®, C, or LabVIEW®.

In addition to the 16 front-panel Digital I/O lines, 24 lines are provided on the rear panel 37-pin D connector, designated as P2. These lines are logically divided into three 8-bit ports, with each port programmable as input or output. As with the front-panel Digital I/O, these lines can be scanned as inputs along with other channels in a scan group, or read during an acquisition when a programming environment is being used.

Note that P2 can be used as a Digital I/O expansion port. In this role it can be expanded up to 256 digital I/O lines using our DBK20 Series options. DBK20 Series devices provide additional signal I/O, including optical isolation and relay closure. The *DBK Option Cards and Modules User's Manual (457-0905)*, which is included in PDF format on your data acquisition CD, contains details regarding each DBK20 Series device.

Synchronous Input Operations

The WBK40 and the WBK41 allow synchronous scanning and acquisition of Thermocouple Inputs. This type of data can be from either the WBK40, the WBK41, or from DBK84 expansion modules. In addition to Thermocouple Input, the WBK41 can receive Digital Input and Counter Input Data at up to 200kHz aggregate scanning rates. The WBK41 can input Digital Data through its Digital I/O terminal blocks [on the front panel], or via its DB37 P2 connector, which can be used to expand to a DBK20 Series card or module.

Digital Input Channels

The WBK41 allows for either synchronous scanning of digital input channels or asynchronous I/O operations for all configured digital channels.

Counter Input Channels

The devices allow synchronous scanning of the 4 16-bit counter input channels. The four 16-bit counter channels can also be cascaded into two 32-bit counter channels. For either cascaded or non-cascaded counter channels each channel can be configured for:

- **Clear on Read Mode** – specifies that each counter should be reset to zero upon being read and placed into the input scan.
- **Continuous Totalize Mode** – specifies that each counter is to free-run and not be cleared during the input acquisition.



Reference Note

Information pertaining to *Synchronization* and *Scanning* can be found in the *WaveBook User's Manual*. A PDF version is included on the data acquisition CD and can be accessed from the CD's intro-screen by using the <View PDFs> button.

Synchronous Output Operations - DBK46 Required

With the optional DBK46 Analog Output card installed, the WBK41 will allow synchronous output of D/A channels at up to 100kHz, for each channel. The channels may have output streamed to them and be clocked-out synchronously.

All waveform data is downloaded to a 256k sample buffer on the DBK46. The waveform can then be started and DAC updates made synchronous to the acquisition pacer clock.

Output Channel Configuration - DBK46 Required

Analog Output Channels

Each D/A channel of a DBK46 can be configured for waveform output individually. If the D/A channel is not configured for waveform output it then is available for asynchronous output operations.

Synchronous Output Clocking

The devices allow clocking of the synchronized output by the acquisition clock source, an internal, programmable pacer clock or by an external clock source. When the clock source generates a new clock signal all outputs are updated concurrently. Regardless of the clock source, the clock may not exceed the maximum update rate of 100kHz.

Synchronous Output Data Source

Each device [that has a DBK46 installed] allows the data source for synchronized DAC output operations to be that of a memory based buffer on the DBK46. The output data, for all the channels, is contained in the buffer.

Asynchronous I/O Operations - WBK41

The WBK41 allows asynchronous input of any counter or digital channel that is not currently configured for synchronous acquisition. The unit also allows for asynchronous output to any DBK46 D/A channels that are not currently configured for waveform output. Note that the DBK46 is an option that must be installed for this to be true.

Likewise, all 40 Digital I/O channels (16 from front panel terminal blocks and 24 from the rear panel P2 connector) can be used for both asynchronous input and output operations. In addition, the Timer Outputs (from a front panel terminal block) can be programmed at any time, regardless of the current state of synchronous or asynchronous operations on other channels.

Digital I/O Channels

Rear Panel P2 Connector, 24 Bit Digital I/O

The devices have an implemented Intel 8255 core in the digital I/O logic on the P2 port. With the Intel 8255 there are three 8-bit wide ports available for I/O and one 8-bit wide port for configuration purposes. The configuration port is used to configure the other three 8-bit ports for either input or output operations.

Front Panel, Terminal Blocks, 16 Bit Digital I/O

The WBK41's front panel terminal blocks include a 16-bit Digital I/O port. With this port, no configuration is required; the port simply outputs when written to and inputs when read.

Expansion Digital I/O

The WBK41 has the ability to expand its Digital I/O capabilities via the rear panel P2 port via the connection of applicable Digital I/O expansion modules, i.e., a DBK20 Series card or module. These modules are discussed in the *DBK Option Cards & Modules User's Manual*. When using Digital I/O expansion modules the local P2 Intel 8255 Digital I/O becomes inaccessible in lieu of the expansion modules. The expansion modules provide additional Intel 8255 ports, as well as input isolation for applications that require the expanded capabilities.

Pulse Stream Output Using Timers

The WBK41 allows for the generation of output pulses based upon a programmable setting. These output timers can be set at any time regardless of the state of any synchronous or asynchronous operations which are currently taking place on other channels. Connections for the two Timer Outputs, designated as "TMR 0" and "TMR 1," are located on the front panel terminal blocks.

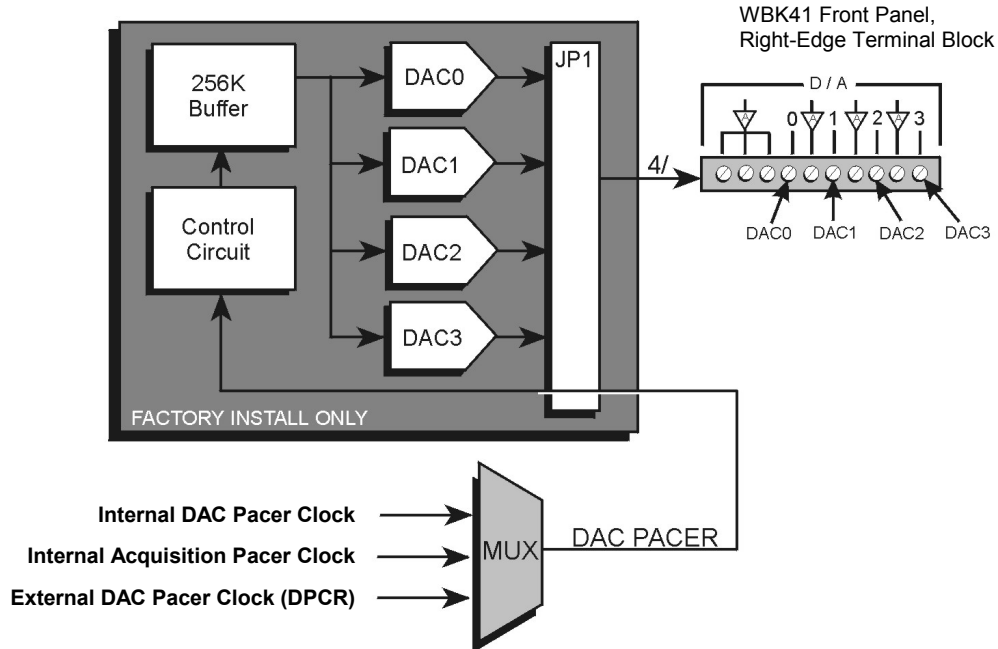
Counter Input Channels

WBK41 modules have Counter Input capabilities for four channels (CNTR0, CNTR1, CNTR2, and CNTR3). Connection points are provided on a front panel terminal block. Providing that a counter channel is not configured for synchronous acquisition, it can be used to read counter input. As in the case of synchronous operations, the four 16-bit counter input channels can be used individually, or can be cascaded into two 32-bit counter channels. For either cascaded or non-cascaded counter channels, each channel can be configured for:

- ***Clear on Read Mode*** – specifies that each counter should be reset to zero upon being read.
- ***Continuous Totalize Mode*** – specifies that each counter is to free-run and not be cleared during the read operation.

Analog Output Channels (The DBK46 Factory Install Option is Required)

When a WBK41 has a DBK46 option installed, the module has the ability to output analog data to any of the four D/A channels (DAC0, DAC1, DAC2, and DAC3). Connection points are on a front panel terminal block. If a D/A channel is not being used for waveform output operations, it can be asynchronously updated by an application.



DBK46 Block Diagram, WBK41 Application

The DBK46 has a 256K sample buffer that can be used for one to four DACs. If only one DAC is enabled for waveform output, then the entire 256K sample memory can be used to store a waveform for that DAC. If two DACs are enabled for waveform output, then 128K of sample memory is available for each of the two DACs. Use of all four DACs drops the available memory down to 64K per DAC.

Software loads the waveform(s) into the 256K sample buffer. The waveform data drives the DACs at the rate of the specified DAC Pacer Clock. The waveforms will repeat until the DACs are disabled by software.

The DBK46 provides an output range of -10V to +10V. The card's 256 Kbyte of sample buffer memory can store waveforms from the PC. When used to generate waveforms, the DACs can be clocked in one of three modes. These are:

- **Internal DAC Pacer Clock** - The WBK41 programmable clock can generate updates ranging from 1.5 Hz to 100 kHz, independent of any acquisition rate.
- **Internal Acquisition Pacer Clock** – By using the WBK41 programmable clock, the analog output *rate of update* can be synchronized to the acquisition rate derived from 100 kHz to once every 5.96 hours.
- **External DAC Pacer Clock (DPCR)** - A user-supplied external input clock can be used to pace the DAC, entirely independent of other analog inputs. This external clock input connects to the DPCR connector, located on the Counter/Timer Terminal Block.

DBK46 is installed at the factory. To verify that a DBK46 is installed, simply check the acquisition software's Analog Output Window for the presence of DAC0, DAC1, DAC2, and DAC3.

Note that the DBK46 does not require any setup in software.



Reference Note:

In regard to the *out-of-the-box* software and analog output channels, refer to the *WaveView* Document Module. **However, as of this document date, the WaveView graphical user interface (GUI) does not specifically address WBK40 or WBK41.**

Using a Temperature Calibrator

The thermocouple modules provide accurate and repeatable temperature measurements across a wide range of operating conditions. However, all instrumentation is subject to drift with time and with ambient temperature change. If the ambient temperature of the operating environment is below 18°C or above 28°C, or if the product is near or outside its one-year calibration interval, then the absolute accuracy may be improved through the use of an external temperature calibrator.

A temperature calibrator is a temperature simulation instrument that allows selection of thermocouple type and temperature. For proper operation, it must be connected to the WBK40, WBK41, or DBK84 with the same type thermocouple wire and connector that is used in normal testing. The calibrator then generates and supplies a voltage to the module. The supplied voltage corresponds to that which would be generated by the chosen thermocouple type at the selected temperature.

The temperature selected on the calibrator will be dictated by the nature of normal testing. 0°C is usually the best choice. Calibrators are the most accurate at this setting, and the connecting thermocouple wire will contribute very little error at this temperature. However, if the dynamic range of the normal testing is, for example, 100°C to 300°C, a selection of 200°C may give better results. In either case, the level of adjustment is determined by comparing the unit reading to the selected calibrator temperature. For example, if the calibrator is set to 0°C output, and the unit reads 0.3°C, then an adjustment of -0.3°C is required. That is, the adjustment value is determined by subtracting the device reading from the calibrator setting.

To implement the adjustment in DaqView:

1. Ensure that the acquisition process is turned off.
2. Click on the cell in the Units column for the channel that is connected to the calibrator. The engineering units pull-down menu above the grid becomes active.
3. Click on the down arrow and select the “mx+b” option. This option allows post-acquisition mathematical manipulation.
4. For the example adjustment, enter -0.3 for “b.” The channel under calibration will now read 0°C.

Note that this adjustment is a mathematical operation only, and in no way alters the hardware calibration of the product. Moreover, it operates on a per channel basis, with the settings for a given channel having no influence on any other channels.



Reference Notes:

For Additional mx+b information, refer to the *mx_plus_b.pdf* document, which is included on the data acquisition CD.

CE Compliance

Overview



CE-compliant products bear the “CE” mark and include a *Declaration of Conformity* stating the particular specifications and conditions that apply. The test records and supporting documentation that validate the compliance are kept on file at the factory.

The European Union established CE standards in 1985. The standards include specifications for safety, EMI emissions, and immunity from electromagnetic interference. Products that are intended for placement in the European Union must meet or exceed the standards and bear the "CE" mark.

Although not required in the USA, meeting or exceeding the CE standards is considered good engineering practice, since doing so enhances safety while reducing noise and ESD problems.

In contracted and in-house testing, most Daq products met the required specifications. In many cases, products that were not originally in compliance were redesigned accordingly. In noted instances, alternate product versions, shield plates, edge guards, special connectors, or add-on kits are required to meet CE compliance.

CE Standards and Directives

The electromagnetic compatibility (EMC) directives specify two basic requirements:

1. The device must not interfere with radio or telecommunications.
2. The device must be immune from electromagnetic interference from RF transmitters, etc.

The standards are published in the *Official Journal of European Union* under direction of CENELEC (European Committee for Electrotechnical Standardization). The specific standards relevant to Daq equipment are listed on the product's Declaration of Conformity and include: CISPR22:1985; EN55022:1988 (Information Technology Equipment, Class A for commercial/industrial use); and EN50082-1:1992 for various categories of EMI immunity.

The safety standard that applies to Daq products is EN 61010-1 : 1993 (*Safety Requirements for Electrical Equipment for Measurement, Control, and Laboratory Use, Part 1: General Requirements*).

Environmental conditions include the following:

- indoor use
- altitude up to 2000 m
- temperature 5°C to 40°C (41°F to 104°F)
- maximum relative humidity 80% for temperatures up to 31°C (87.8°F) decreasing linearly to 50% relative humidity at 40°C (104°F)
- mains supply voltage fluctuations not to exceed $\pm 10\%$ of the nominal voltage
- other supply voltage fluctuations as stated by the manufacturer
- transient overvoltage according to installation categories (overvoltage categories) I, II and III
For mains supply, the minimum and normal category is II
- pollution degree I or II in accordance with IEC 664

For clarification, terms used in some Declarations of Conformity include:

- **pollution degree:** any addition of foreign matter, solid, liquid or gaseous (ionized gases) that may produce a reduction of dielectric strength or surface resistivity. **Pollution Degree I** has no influence on safety and implies: the equipment is at operating temperature with non-condensing humidity conditions; no conductive particles are permitted in the atmosphere; warm-up time is sufficient to avert any condensation or frost; no hazardous voltages are applied until completion of the warm-up period. **Pollution Degree II** implies the expectation of occasional condensation.
- **overvoltage (installation) category:** classification with limits for transient overvoltage, dependent on the nominal line voltage to earth. **Category I** implies signals without high transient values. **Category II** applies to typical mains power lines with some transients.

Safety Conditions

Users must comply with all relevant safety conditions in the user's manual and the Declarations of Conformity. This manual and Daq hardware make use of the following Warning and Caution symbols: If you see either of these symbols on a product, carefully read the related information and be alert to the possibility of personal injury.



This warning symbol is used in this manual or on the equipment to warn of possible injury or death from electrical shock under noted conditions.



This warning/caution symbol is used to warn of possible personal injury or equipment damage under noted conditions.

Daq products contain no user-serviceable parts; refer all service to qualified personnel. The specific safety conditions for CE compliance vary by product; but general safety conditions include:

- The operator must observe all safety cautions and operating conditions specified in the documentation for all hardware used.
- The host computer and all connected equipment must be CE compliant.
- All power must be off to the device and externally connected equipment before internal access to the device is permitted.
- Isolation voltage ratings: do not exceed documented voltage limits for power and signal inputs. All wire insulation and terminal blocks in the system must be rated for the isolation voltage in use. Voltages above 30 Vrms or ± 60 VDC must not be applied if any condensation has formed on the device.
- Current and power use must not exceed specifications. Do not defeat fuses or other over-current protection.

Emissions/Immunity Conditions

The specific immunity conditions for CE compliance vary by product; but general immunity conditions include:

- Cables must be shielded, braid-type with metal-shelled connectors. Input terminal connections are to be made with shielded wire. The shield should be connected to the chassis ground with the hardware provided.
- The host computer must be properly grounded.
- In low-level analog applications, some inaccuracy is to be expected when I/O leads are exposed to RF fields or transients over 3 or 10 V/m as noted on the Declaration of Conformity.

CE Enhancements for DBKs

The following CE enhancements are described in the individual document modules of the *DBK Cards and Modules User's Manual* (p/n 457-0905).

- DBK41/CE
- Edge Guard (for DBK5, DBK8, and DBK44)
- Applicable cables and connectors

CE Compliance for WaveBook System Expansion

WaveBooks, WBK40, WBK41, and other CE-designated WBK and DBK boards and modules are CE Compliant at the time they leave the factory, and will remain in compliance providing that the required conditions, as stated on the associated product's *Declaration of Conformity*, continue to be met.

Note that connecting a *non-CE Compliant* DBK or WBK module or card to your system will make the system non-compliant.

You may want to expand your WaveBook system while having it retain its status of "CE Compliant." If so, refer to the most recent *Declaration of Conformity* for each device, prior to making any efforts to expand the system.

Fuse Replacement

CAUTION



Turn OFF the power to, and UNPLUG the WBK40 or WBK41 module and all connected equipment. Remove all signal I/O lines from the unit. Electric shock or damage to equipment can result even under low-voltage conditions.



Take ESD precautions, to include using a grounded wrist strap.

Use care to avoid touching board surfaces and onboard components. Ensure boards do not come into contact with foreign elements such as oils, water, and industrial particulate.



You should only replace a fuse (or fuses) if your device shows no sign of damage. If your device appears damaged, such as evidenced by a "smoked" component, contact the factory as soon as possible.

If the replacement fuse blows, contact the factory, as this indicates a problem may exist with your WBK40 or WBK41 module.

Each WBK40 and WBK41 module has two user-replaceable fuses designated as F201 and F1.

- **F201 Input Power Fuse. 4.0 A, MINI ATO.**

This 4-amp fuse is located near the rear panel's 5DIN POWER IN connector. If this fuse has blown, the WBK40 or WBK41 module will not power up.

Factory Part Number: **FU-8-4**

Littelfuse Part Number: **297-004**, Littelfuse Body Color Code: **Pink**

- **F1 +5 VDC Power Output Fuse for P1, P2, and P3. 2.0 A, MINI ATO.**

This 2-amp fuse is located near the right side of the rear panel.

If this fuse has blown, a WBK40 will not supply +5 VDC power out to expansion DBKs via P1; and a WBK41 will not supply +5 VDC power out to expansion DBKs via P1 or P2.

Factory Part Number: **FU-8-2**

Littelfuse Part Number: **297-002**, Littelfuse Body Color Code: **Grey**

You will need the following:

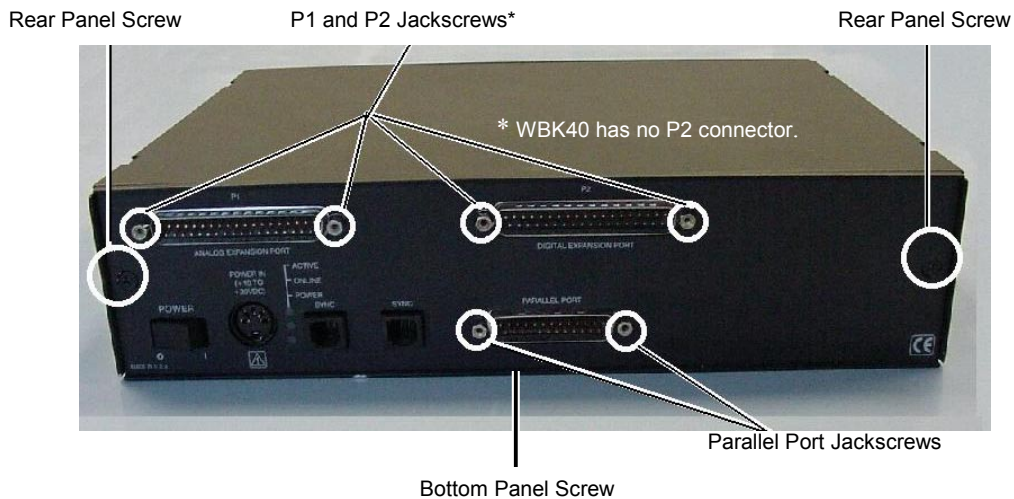
- Phillips Screwdriver
- 3AG Fuse Puller, or needle-nose pliers*
- 3/16-inch hex-nut driver
- Grounding wrist strap and associated anti-static pad
- Replacement fuse F1 and/or F201

* Needle-nose pliers can be used to pull MINI ATO fuses; but should not be used to insert fuses.



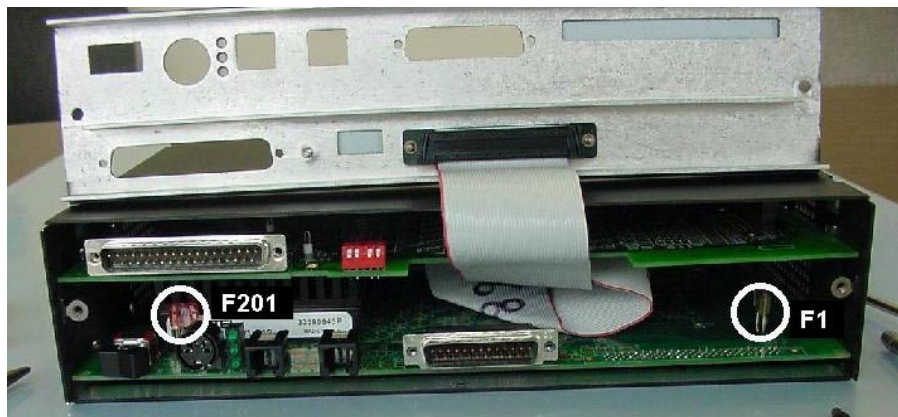
Observe the Caution and the important note on page 23 of this document module prior to beginning this fuse replacement procedure.

1. If you have not already done so, turn OFF the power to, and UNPLUG the WBK40 or WBK41 module and all connected equipment. Remove all signal I/O lines from the unit.
2. Remove the Jackscrews from the P1 and PARALLEL PORT connectors. In addition, WBK41 users must remove Jackscrews from the P2 connector. The following figure shows the screw locations.
3. Using a Phillips screwdriver, remove the two Rear Panel Screws and the Bottom Panel Screw.



WBK41 Rear Panel, Screw Removal

4. Remove the Rear Panel from the rest of the chassis.

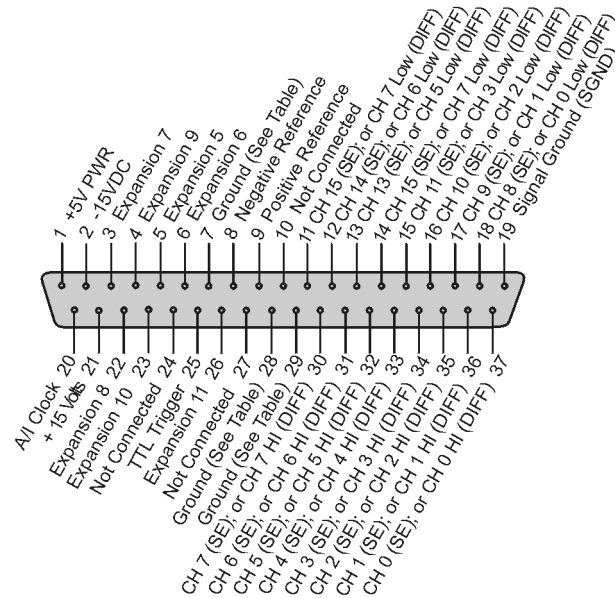


F201 and F1 Fuse Locations

5. Locate the fuse (F201 or F1) that you are to replace. Both fuses are located near the rear panel edge.
6. While wearing a grounded wrist strap, remove and replace the bad fuse. Ensure that the new fuse is fully seated.
7. Replace the Rear Panel and secure it to the chassis with the 2 Rear Panel Screws, the Bottom Panel Screw, and the connector Jackscrews that were removed in step 2.
8. Return the WBK40 [or WBK41] to normal service. Should any problems be noted, consult the factory.

P1 DB37 Connector Pinout

Analog I/O

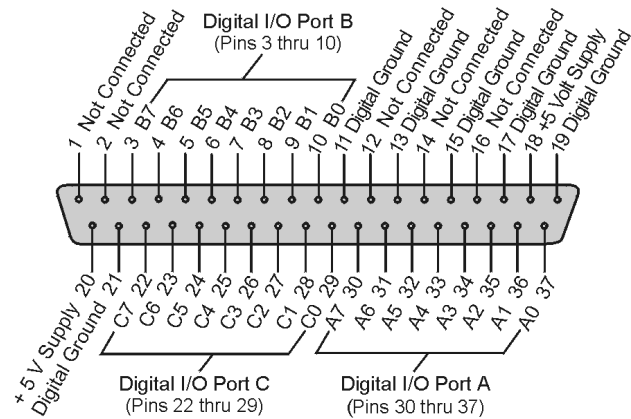


Pin	Signal Name	Description for P1 Pin Use
1	+5 VDC	Expansion +5 V power
2	-15 VDC	Expansion -15 V power
3	Expansion 7	Digital OUT, external ADDRESS select bit 3
4	Expansion 9	Digital OUT, external ADDRESS select bit 1
5	Expansion 5	Digital OUT, external GAIN select bit 1
6	Expansion 6	Digital OUT, external GAIN select bit 0
7	DGND	Digital Ground
8	Negative Reference	Analog -5 V reference
9	Positive Reference	Analog +5V reference
10	Not Connected	N/A
11	CH 15 (SE), or CH 7 LO DIFF	Ch 15 HI IN (single-ended mode) / Ch 7 LO IN (differential mode)
12	CH 14 (SE), or CH 6 LO DIFF	Ch 14 HI IN (single-ended mode) / Ch 6 LO IN (differential mode)
13	CH 13 (SE), or CH 5 LO DIFF	Ch 13 HI IN (single-ended mode) / Ch 5 LO IN (differential mode)
14	CH 12 (SE), or CH 4 LO DIFF	Ch 12 HI IN (single-ended mode) / Ch 4 LO IN (differential mode)
15	CH 11 (SE), or CH 3 LO DIFF	Ch 11 HI IN (single-ended mode) / Ch 3 LO IN (differential mode)
16	CH 10 (SE), or CH 2 LO DIFF	Ch 10 HI IN (single-ended mode) / Ch 2 LO IN (differential mode)
17	CH 9 (SE), or CH 1 LO DIFF	Ch 9 HI IN (single-ended mode) / Ch 1 LO IN (differential mode)
18	CH 8 (SE), or CH 0 LO DIFF	Ch 8 HI IN (single-ended mode) / Ch 0 LO IN (differential mode)
19	Signal Ground (SGND)	Sense Common (SGND)
20	AI Clock	External ADC Pacer Clock Input / Internal ADC Pacer Clock Output
21	+15 VDC	Expansion +15 V power
22	Expansion 8	Digital OUT, external ADDRESS select bit 2
23	Expansion 10	Digital OUT, external ADDRESS select bit 0
24	Not Connected	N/A
25	TTL Trigger	Digital IN, External TTL Trigger Input
26	Expansion 11	Digital OUT, Simultaneous sample and hold (SSH)
27	Not Connected	N/A
28	AGND	Analog Ground
29	AGND	Analog Ground
30	CH 7 (SE), or CH 7 HI DIFF	Ch 7 IN (single-ended mode) / Ch 7 HI IN (differential mode)
31	CH 6 (SE), or CH 6 HI DIFF	Ch 6 IN (single-ended mode) / Ch 6 HI IN (differential mode)
32	CH 5 (SE), or CH 5 HI DIFF	Ch 5 IN (single-ended mode) / Ch 5 HI IN (differential mode)
33	CH 4 (SE), or CH 4 HI DIFF	Ch 4 IN (single-ended mode) / Ch 4 HI IN (differential mode)
34	CH 3 (SE), or CH 3 HI DIFF	Ch 3 IN (single-ended mode) / Ch 3 HI IN (differential mode)
35	CH 2 (SE), or CH 2 HI DIFF	Ch 2 IN (single-ended mode) / Ch 2 HI IN (differential mode)
36	CH 1 (SE), or CH 1 HI DIFF	Ch 1 IN (single-ended mode) / Ch 1 HI IN (differential mode)
37	CH 0 (SE), or CH 0 HI DIFF	Ch 0 IN (single-ended mode) / Ch 0 HI IN (differential mode)

P2 DB37 Connector Pinout (WBK41 Only)

Digital I/O

P2 does not apply to WBK40.



Pin	Signal Name	Description for P2 Pin Use
1	Not Connected	N/A
2	Not Connected	N/A
3	Port B - B7	Digital I/O: P2 Digital Port B, Bit 7; or, P2 Expansion Address Bit 0 Out
4	Port B - B6	Digital I/O: P2 Digital Port B, Bit 6; or, P2 Expansion Address Bit 1 Out
5	Port B - B5	Digital I/O: P2 Digital Port B, Bit 5; or, P2 Expansion Address Bit 2 Out
6	Port B - B4	Digital I/O: P2 Digital Port B, Bit 4; or, P2 Expansion Address Bit 3 Out
7	Port B - B3	Digital I/O: P2 Digital Port B, Bit 3; or, P2 Expansion Address Bit 4 Out
8	Port B - B2	Digital I/O: P2 Digital Port B, Bit 2; or, P2 Expansion RESET Output
9	Port B - B1	Digital I/O: P2 Digital Port B, Bit 1; or, P2 Expansion WRITE Output
10	Port B - B0	Digital I/O: P2 Digital Port B, Bit 0; or, P2 Expansion READ Output
11	DGND	Digital Ground
12	Not Connected	N/A
13	DGND	Digital Ground
14	Not Connected	N/A
15	DGND	Digital Ground
16	Not Connected	N/A
17	DGND	Digital Ground
18	+ 5 Volt Supply	Expansion +5 Volt Power
19	DGND	Digital Ground
20	+ 5 Volt Supply	Expansion +5 Volt Power
21	DGND	Digital Ground
22	Port C - C7	Digital I/O: P2 Digital Port C, Bit 7; or, P2 Expansion Data Bit 7
23	Port C - C6	Digital I/O: P2 Digital Port C, Bit 6; or, P2 Expansion Data Bit 6
24	Port C - C5	Digital I/O: P2 Digital Port C, Bit 5; or, P2 Expansion Data Bit 5
25	Port C - C4	Digital I/O: P2 Digital Port C, Bit 4; or, P2 Expansion Data Bit 4
26	Port C - C3	Digital I/O: P2 Digital Port C, Bit 3; or, P2 Expansion Data Bit 3
27	Port C - C2	Digital I/O: P2 Digital Port C, Bit 2; or, P2 Expansion Data Bit 2
28	Port C - C1	Digital I/O: P2 Digital Port C, Bit 1; or, P2 Expansion Data Bit 1
29	Port C - C0	Digital I/O: P2 Digital Port C, Bit 0; or, P2 Expansion Data Bit 0
30	Port A - A7	Digital I/O: P2 Digital Port A, Bit 7
31	Port A - A6	Digital I/O: P2 Digital Port A, Bit 6
32	Port A - A5	Digital I/O: P2 Digital Port A, Bit 5
33	Port A - A4	Digital I/O: P2 Digital Port A, Bit 4
34	Port A - A3	Digital I/O: P2 Digital Port A, Bit 3
35	Port A - A2	Digital I/O: P2 Digital Port A, Bit 2
36	Port A - A1	Digital I/O: P2 Digital Port A, Bit 1
37	Port A - A0	Digital I/O: P2 Digital Port A, Bit 0

Specifications – WBK40 and WBK41

Power

Supply Voltage Range: 10 to 30 VDC

Power Out, from P1:

+15 VDC @ 500 mA (via pin 21)

-15 VDC @ 500 mA (via pin 2)

+5 VDC @ 1000 mA (via pin 1)

- Up to eight DBK84 options can be powered from the DB37 P1 connector.
- For applications with 9 to 15 DBK84 options, a DBK32A must be added to the system.
- The WBK41 includes a Power Terminal Block on the front panel. When used, it draws from the total power available to P1.

Fuses:

Input Power Fuse (F201): 4A MINI ATO, user replaceable; refer to page 23 for details.

5V Power Output Fuse (F1): 2A MINI ATO, user replaceable; refer to page 23 for details.

General

Operating Temperature: 0° to 50°C (32° to 122°F)

Storage Temperature: -40° to 70°C (-40° to 158°F)

Relative Humidity: 0 to 95%, non-condensing

Vibration: MIL STD 810E

System Connectors:

Analog Expansion: P1, DB37 male connector on rear panel.

Digital Expansion: P2, DB37 male connector on WBK41 rear panel. P2 does not apply to WBK40.

TC/mV Connector: Mini-TC connectors (WBK40 & WBK41)

Digital I/O, Power [out], Counter/Timer, DAC: Removable Screw-Terminal Blocks on front panel, WBK41 only.

A factory installed DBK46 option is required for DAC outputs (see page 17).

Dimensions: 285 mm W x 220 mm D x 70 mm H (11" x 8.5" x 2.70")

Weight: 1.6 kg (3.5 lbs)

A/D Specifications

Type: Successive approximation

Resolution: 16 bit

Conversion Time: 5 μ s

Maximum Sample Rate: 200 kHz

Nonlinearity (Integral): ± 1 LSB

Nonlinearity (Differential): No missing codes

Thermocouple Inputs

Functions: TC types J, K, S, T, E, B, R, N; x100 (voltage)

Inputs: 14 differential TC/mV inputs

Input Voltage Range: ± 100 mV

Input Impedance: 40M Ohm (differential); 20M Ohm (single-ended)

Input Bandwidth: 4 Hz

Input Bias Current: 10 nA typical

CMRR: 100dB typical

Maximum Working Voltage (signal + common mode): ± 10 V

Over-Voltage Protection: ± 40 V

Voltage Accuracy: $\pm(0.2\%$ of reading + 50 μ V)

TC Accuracy: See the following table. Valid for one year, 18 to 28°C

Minimum Resolution: 0.1°C for all TC types

Note: Specifications are subject to change without notice.

TC Accuracy at Measurement Temperature in °C (±°C)											
Type	Min	Max	-100	0	100	300	500	700	900	1100	1400
J	-200	760	0.6	0.5	0.5	0.6	0.7	0.7	—	—	—
K	-200	1200	0.7	0.6	0.6	0.7	0.8	0.8	0.9	1.0	—
T	-200	400	0.7	0.6	0.6	0.6	—	—	—	—	—
E	-270	650	0.6	0.5	0.5	0.5	0.6	—	—	—	—
S	-50	1768	—	2.3	1.8	1.5	1.5	1.4	1.5	1.6	1.6
R	-50	1768	—	2.3	1.6	1.5	1.4	1.4	1.3	1.4	1.5
B	50	1780	—	—	—	3.7	2.4	2.1	1.8	1.7	1.5
N28	-270	400	0.9	0.7	0.7	0.7	—	—	—	—	—
N14	0	1300	—	0.7	0.7	0.7	0.8	0.8	0.9	1.0	—

Input Sequencer

Scan Clock Sources: 2

1. Internal, programmable from 5 μ s to 5.96 hours in 5 μ s steps
2. External, TTL level input up to 200 kHz max; pin 20 on P1.

Depth: 512 locations

Channel-to-Channel Scan Rate: 5 μ s per channel, programmable

Data Buffer: 64 Ksample FIFO

Note for WBK41 Only: Analog, digital and frequency inputs can be scanned synchronously, based on either an internal programmable timer, or an external clock source.

External Acquisition Scan Clock Input

Maximum Rate: 200 kHz

Clock Signal Range: 0V to +5V

Minimum Pulse Width: 50 ns high, 50 ns low

External SYNC Port: Available on rear panel, allows the modules to be synchronized with a WaveBook/516E

Note: Specifications are subject to change without notice.

Triggering

WBK40, Trigger Sources

Four, individually selectable for starting and stopping an acquisition. Stop acquisition can occur on a different channel than start acquisition; stop acquisition can be triggered via modes 2 or 4 described below. Pre-trigger is supported with fixed or variable pre-trigger periods.

WBK41, Trigger Sources

Six, individually selectable for starting and stopping an acquisition. Stop acquisition can occur on a different channel than start acquisition; stop acquisition can be triggered via modes 2, 4, 5, or 6 described below. Pre-trigger is supported with fixed or variable pre-trigger periods.

1. Single-Channel Analog Hardware Trigger

Any analog input channel can be software programmed as the analog trigger channel, including any of the 224 TC expansion channels.

Input Signal Range: -10 V to +10 V max

Trigger Level: Programmable (11-bit resolution)

Hysteresis: Programmable (11-bit resolution)

Latency: 5 μ s max

2. Single-Channel Analog Software Trigger

Any TC input channel, including any of the 224 TC expansion channels, can be selected as the software trigger channel

Input Signal Range: Anywhere within range of the selected trigger channel

Trigger Level: Programmable (16-bit resolution), including "window triggering"

Latency: One scan period max

3. Single-Channel Digital Trigger

A separate digital input is provided for digital triggering.

Input Signal Range: -15V to +15V

Trigger Level: TTL

Minimum Pulse Width: 50 ns high, 50 ns low

Latency: 5 μ s max

4. Software Triggering

Trigger can be initiated under program control.

5. Digital Pattern Triggering

8- or 16-bit pattern triggering on any of the digital input ports. Programmable for trigger on equal, above, below, or within/outside of a window. Individual bits can be masked for "don't care" condition.

Latency: One scan period max

6. Counter/Totalizer Triggering

Counter/totalizer inputs can trigger an acquisition. User can select to trigger on a frequency or on total counts that are equal, above, below, or within/outside of a window.

Latency: One scan period, max.

Note: Specifications are subject to change without notice.

Additional Specifications for WBK41

In addition to the preceding specifications, the following apply to WBK41. They do not apply to WBK40.

Power Out (accessed from front panel Terminal Block connectors):

+15V @ 500 mA; -15 VDC @ 500 mA; +5VDC @ 1000 mA

WBK41 includes a Power Terminal Block on the front panel. When used, it draws from the total power available to P1. The terminal block is not used to power DBK84 modules, but is for general use.

Note that the P1 connector, located on the rear panel, supplies power to up to eight DBK84 modules. For applications with 9 to 15 DBK84 options, a DBK32A must be added to the system.

Analog Output (accessed from Terminal Block Connectors, if the optional DBK46 is installed)

Providing that the DBK46 factory-install has been made, four analog output channels can be updated synchronously relative to scanned inputs, or clocked from either an internal onboard clock, or an external clock source. Analog outputs can also be updated asynchronously, independent of any other scanning in the system.

Channels: 4 (DAC0, DAC1, DAC2, and DAC3)

Resolution: 16 bits

Data Buffer: 256 Ksample

Output Voltage Range: $\pm 10V$

Output Current: ± 10 mA

Offset Error: $\pm 0.0045V$ max

Gain Error: $\pm 0.01\%$

Update Rate: 100 kHz max, 1.5 Hz min (no minimum with external clock)

Settling Time: 10 μ sec max to 1 LSB for full-scale step

Digital Feed-thru: a spike of up to 50 mV may occur on the DAC output each time that the DAC output is updated.

Clock Sources: 4, programmable

1. Onboard D/A clock, independent of scanning input clock
2. Onboard scanning input clock
3. External D/A input clock, independent of external scanning input clock

Digital I/O (16 Channels accessed from front panel Terminal Block Connectors, 24 channels accessed from the DB37 P2 connector on the on rear panel):

Channels: 40, expandable up to 272 with external digital DBK options

Input Scanning Modes: 2

1. Asynchronous, under program control at anytime relative to input scanning
2. Synchronous with input scanning

Ports: 3 x 8-bit from the rear panel DB37 (P2) connector; and 1 x 16-bit (front panel screw terminal); each port is programmable as input or output

I/O Levels: TTL

Sampling/Update Rate: 200 kHz max

P2 – Digital I/O Characteristics:

Output Driver:

Resistor & Pull-up: 33 Ω series resistor with a 680 Ω pull-up to 5 V
Current: can only sink current, source-current from pull-up resistor

Output Voltage:

High Level: 2.0 V min @ 4 mA; 4.0 V min @ 1 mA

Low Level: 0.5 V min @ 4 mA

Input Voltage: valid range of - 0.3 V to + 5.0 V

Note: Specifications are subject to change without notice.

Front Panel – Digital I/O Characteristics:

Note: The following characteristics apply to the 16 Digital I/O lines that connect to the front panel's removable screw-terminal blocks.

Output Driver:

Resistor & Pull-up: 100 Ω series resistor with a 10 K Ω pull-up to 5 V

Current: source 12 mA; sink 12 mA

Output Voltage:

High Level: 2.5 V min @ 12 mA

Low Level: 0.5 V min @ 4 mA

Input Voltage: valid range of - 0.3 V to + 5.0 V

Frequency/Pulse Counters

Counter inputs can be scanned synchronously along with analog and digital scanned inputs, based either on internal programmable timer, or an external clock source. Counters can be configured to clear when read, or to totalize and clear under program control.

Channels: 4 x 16-bit; cascadable as 2 x 32-bit

Frequency Measurement Rate: 10 MHz max

Input Signal Range: -15V to +15V

Trigger Level: TTL

Minimum Pulse Width: 50 ns high, 50 ns low

Frequency/Pulse Generators

Channels: 2 x 16-bit

Output Waveform: Square wave

Output Rate: 1 MHz base rate divided by 1 to 65535 (programmable)

High-Level Output Voltage: 2.0V min @ -3.75 mA; 3.0V min @ -2.5 mA

Low-Level Output Voltage: 0.4V max @ 2.5 mA

Ordering Information

Modules

14-channel thermocouple input module for the WaveBook/516E and WBK25	WBK40
Multi-function I/O module for the WaveBook/516E and WBK25	WBK41
14-channel expansion module for the WBK40 and WBK41	DBK84

Accessories & Cables*

Fastener-panel kit for WBK Series Modules	262-0801
Fastener-panel kit for DBK Series Modules	232-0810
Fastener-panel handle	HA-111
DB25M to DB25F, 12 inch parallel cable	CA-35-12
Expansion cable for connecting DBK84 options; specify number of DBK84 options (x) to be connected	CA-37-x
Expansion cable for connecting to DBK expansion products,	
2.5 inch expansion cable	CA-37-1T
4.5 inch expansion cable	CA-37-3T
5.5 inch expansion cable	CA-37-4T
11.5 inch expansion cable	CA-37-8T
SYNC cable for multi-unit synchronization; 1 ft.	CA-74-1
SYNC cable for multiunit synchronization; 5 ft.	CA-74-5
5-pin male DIN to 5-pin male DIN provides convenient connection between WBK40 power input connectors and battery packs	CA-115
5-pin DIN to automobile cigarette lighter power cable, 8 ft.	CA-116
Male Connectors for Subminiature TC Jacks	
Type B male connector	CN-144-BM
Type E male connector	CN-144-EM
Type J male connector	CN-144-JM
Type K male connector	CN-144-KM
Type N male connector	CN-144-NM
Type R male connector	CN-144-RM
Type S male connector	CN-144-SM
Type T male connector	CN-144-TM
Copper to copper male connector	CN-144-UM

Related Products

DBK20 - 48-Line General Purpose Digital I/O Card with two DB37 male connectors for signal outputs
DBK21 - 48-Line General Purpose Digital I/O Card with screw-terminals for signal outputs
DBK23 - 24-Line Optically Isolated Digital-Input Module
DBK24 - 24-Line Optically Isolated Digital-Output Module
DBK25 - 8-Channel Relay-Output Card
DBK32A - Auxiliary Power Supply Card
DBK46 - Analog Output, 4 DACs. *This option, if selected, must be installed at the factory.*
DBK84 - 14-Channel Thermocouple/mV expansion module
WaveBook/516E - 16-bit, 1-MHz sampling, with built in 10/100BaseT Ethernet Interface
WBK25 – Ethernet Interface Module for WaveBook, DaqBook, WBK40, and WBK41

* Additional cables and/or accessories may apply, depending on the WaveBook model and the WBK module(s) that are being used in the WBK40-based [or WBK41-based] data acquisition system.

Note: Ordering information is subject to change without notice.



Notes

For connecting to a WaveBook/516E or to a WBK25



WBK40
14 Channel Thermocouple Input Module,
Front & Rear Views



WBK41
Multi-Function Thermocouple I/O Module,
Front & Rear Views

The following instructions pertain to both physical hardware connections and to setting up the WBK40 or WBK41 in the *Daq*Configuration* control panel applet. Setup information regarding complex systems is included in the *WBK Options Manual* (p/n 489-0902) and in the *WaveBook User's Manual* (489-0901). PDF versions of both documents can be accessed from the data acquisition CD from the <View PDFs> button on the CD's opening screen.

CAUTION



Turn off power to the system devices and externally connected equipment before connecting cables. Electric shock or damage to equipment can result even under low-voltage conditions.



Take ESD precautions (packaging, proper handling, grounded wrist strap, etc.)



Reference Note: Adobe PDF versions of user manuals will automatically install onto your hard drive as a part of product support. The default location is in the **Programs** group, which can be accessed from the *Windows Desktop*. You can also access documents directly from the data acquisition CD via the <View PDFs> button located on the CD's opening screen.

Minimum System Requirements

- PC system with Pentium® Processor
- Windows 2000 or Windows XP (Note 1)
- 64 Mbytes of RAM

Note 1: Consult the factory in regard to using other Windows operating systems.



Power-up Notice for WaveBook/516E and WBK25 Applications:

When powering up the data acquisition system it is important that the WaveBook/516E or WBK25 is powered last, and that the most remote system components are powered first. Other power-up sequences will result in software's failure to recognize all components.*

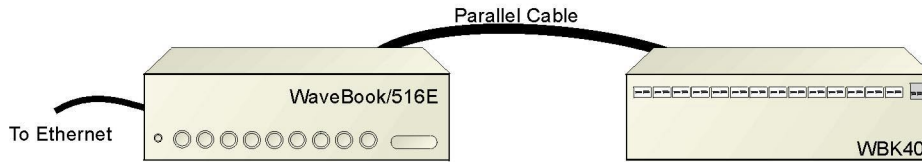
- First, power-on the WBK expansion modules.
- Second, power-on the WBK40 or WBK41, or DBK modules that are connected to the expansion ports of the WaveBook/516E or WBK25.
- Finally, power-on the WaveBook/516E or WBK25.

* An exception to this power-up scheme is to power-on the entire system at once.



These instructions begin with the assumption that the following two conditions are satisfied: (1) the WaveBook/516E or WBK25 is already connected to the Ethernet, and (2) the associated software from the data acquisition CD is installed. If needed, refer to the documents associated with those devices.

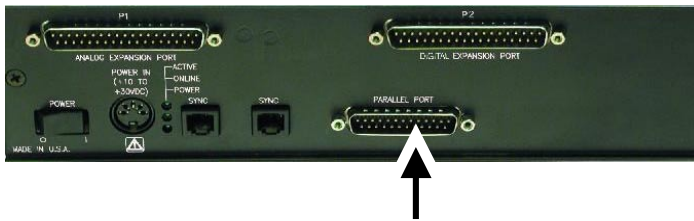
STEP 1 – Connect the WBK40 or WBK41 to an Expansion Port on the WaveBook/516E or on the WBK25



Connecting a WBK40 to a WaveBook/516E

What you will need:

One parallel port cable, e.g. a CA-35-2 (2-foot) or a CA-35-12 (1-foot) cable.

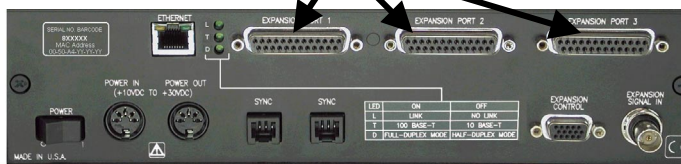


DB25 Parallel Port Connector

How to make the connection:

1. Place the WaveBook/516E or WBK25 power switch in the “OFF” (0) position, if it is not already OFF.
2. Connect the parallel port cable to the parallel port connector on the rear panel of the WBK40 or WBK41. See the preceding picture.
3. Connect the other end of the cable to one of three expansion ports on the WaveBook/516E or WBK25.

Parallel (Expansion) Ports



Parallel Ports (Expansion Ports) on a WaveBook/516E



Parallel Ports (Expansion Ports) as they appear on a WBK25

STEP 2 – Connect the WBK40 or WBK41 to Power

What you will need:

A power supply with a range of +10 VDC to +30 VDC.
The power supply needs to have a male DIN5 connector.

Note: The switching-mode power supply that is commonly used has an input range of 100 VAC to 240 VAC at 50 Hz to 60 Hz. The power supply's output [to the device] is 15 VDC @ 2.7 amps via a DIN5 connector.

Note: Various AC adapter models support power grids of USA, Europe, Japan, and Asia.



Reference Note: It is possible to use a VDC power source other than the commonly used switching-mode power supply, often referred to as an adapter. However, you should consult the *Power Management Section* of your *WaveBook User's Manual* (p/n 489-0901) before doing so.



DIN5 POWER IN Connector (+10 to +30 VDC)

How to make the connection:

1. Place the WBK40 or WBK41 power switch in the “OFF” (0) position, if it is not already OFF.
2. Connect the DIN5 end of the adapter's cable to the power in connector on the WBK40 or WBK41 (see preceding figure).

If using a power source other than the adapter, consult the *Power Management Section* of your *WaveBook User's Manual* (p/n 489-0901) before doing so.

3. Connect the adapter's plug to a standard AC outlet.
4. If your adapter has a power switch, position it to “ON.”
5. Turn ON the WBK40 or WBK41 by placing the unit's power switch to the “1” position. The power led will light up.
6. Turn the WaveBook/516E or WBK25 “ON” by placing the unit's power switch to the “1” position. The power led will light up.

STEP 3 – Configure and Test the Hardware

The *Daq* Configuration* applet, designed for 32-bit Windows 95/98/Me/NT/2000/XP systems, is located in the Windows *Control Panel*. It allows you to add or remove a device and change configuration settings. The included test utility provides feedback on the validity of current configuration settings, as well as performance summaries.

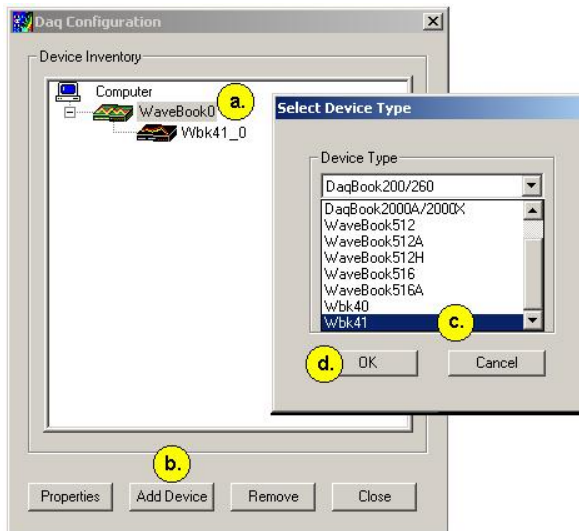
1. Open the *Daq* Configuration* Applet.

- a. Open the Control Panel by navigating from the Windows' Desktop as follows:
Start Menu ⇒ Settings ⇒ Control Panel
- b. From the Control Panel, double-click the *Daq* Configuration* icon.

2. Add the *WBK40* or *WBK41*.

In the *Daq Configuration* applet, add the *WBK40* or *WBK41* to one of the three expansion ports of the *WaveBook/516E* or *WBK25*.

- a. Select the *WaveBook/516E* or *WBK25* in the *Device Inventory* configuration tree (see following figure).
- b. Click the **<Add Device>** button. The “*Select Device Type*” box will appear.
- c. Select “*WBK40*” or “*WBK41*” from the device list, as applicable.
- d. Click the **<OK>** button. The “*Properties*” box for the device will appear.



Adding a *WBK40* or *WBK41* to a *WaveBook/516E* or *WBK25*

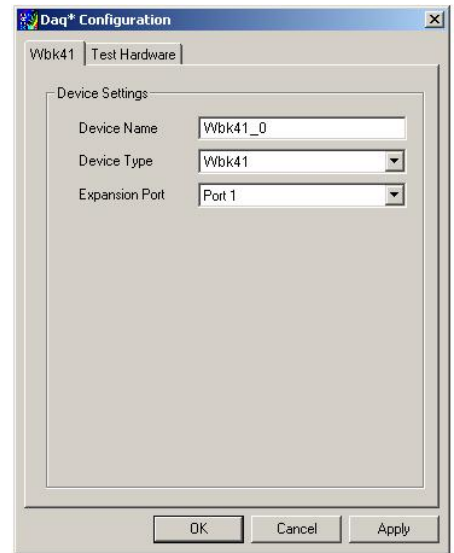
Note: Devices have default names, for example, *WBK40_0*. If desired, you can change the device name.

3. Set the Expansion Port number.

In our current setup, the WBK40 or WBK41 is a second-level device. This is because it is connected to an expansion port of a first-level device, i.e., the WaveBook/516E or WBK25.

For this step select the expansion port number to which the WBK40 or WBK41 is connected, i.e., Port 1, Port 2, or Port 3.

Note: The WBK40 or WBK41 make use of the same IP address as the WaveBook/516E or WBK25 to which they are connected. For this reason no configuration of the IP address is called for in the second-level device's properties box.

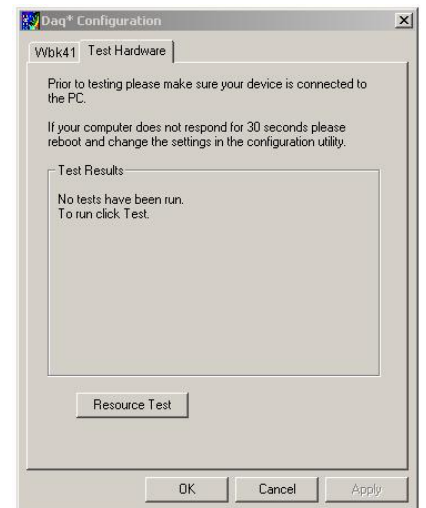


Setting the Expansion Port Number

4. Test the system connections.

- Make sure the device has been properly installed and is powered-on.
- Make sure all cables are properly and securely connected.
- Click the "Test Hardware" tab.
- Click the <Resource Test> button.

Note: The test results have two components: *Resource Tests* and *Performance Tests*. Each is described briefly.



**Daq* Configuration
Test Hardware Tab**

Resource Tests. The resource tests are intended to test system capability for the current device configuration. Resource tests are *pass/fail*. Test failure may indicate a lack of availability of the resource, or a possible resource conflict.

Base Address Test. This resource test checks the base address for the selected port. Failure of this test may indicate that the port is not properly configured within the system. See relevant operating system and computer manufacturer's documentation to correct the problem.

Interrupt Level Test – Tests the ability of a parallel port to generate interrupts. Failure of this test may indicate that the parallel port may be currently unable to generate the necessary hardware interrupt, while other parallel port devices may work OK in this mode. Some parallel port devices (such as printers) do not require interrupts to work properly. See relevant operating system and computer manufacturer's documentation to correct the problem.

Performance Tests. These types of tests are intended to check various device functions, using the current device configuration. Performance tests provide quantitative results for each supported functional group.

Test results represent maximum rates the various operations can be performed. The rates depend on the selected parallel port protocol, and vary according to port hardware capabilities.



Testing the WBK40 or WBK41 may, in some cases, cause the system to hang. If test results are not displayed in 30 seconds or the system does not seem to be responding, reboot the system. Upon power-up, re-enter the Daq Configuration and change the device configuration settings to those that work properly.

This completes the instructions for connecting a WBK40 or WBK41 to a WaveBook/516E or WBK25. At this point you should refer to the *WaveBook User's Manual* (p/n 489-0901) and to the WBK40 & WBK41 section of the *WBK Options Manual* (p/n 489-0902) for additional system information. The document includes pinouts, information on system expansion, data acquisition, and links to software and programming documents (in PDF format).

You can access the documents directly from the opening screen of the data acquisition CD via the <**View PDFs**> button.



Reference Notes:

- If you experience difficulties, please consult the additional user documentation before calling technical support. User documentation is included on your data acquisition CD, and is installed automatically as a part of product support, when your software is installed. The default location is the Programs Group. The documentation includes API information, pinouts, troubleshooting, and a great deal of material regarding specific DBK cards and modules.
- Documents can be read directly from the data acquisition CD via the <**View PDFs**> button located on the opening screen.
- Hardcopy versions of the manuals can be ordered from the factory.